

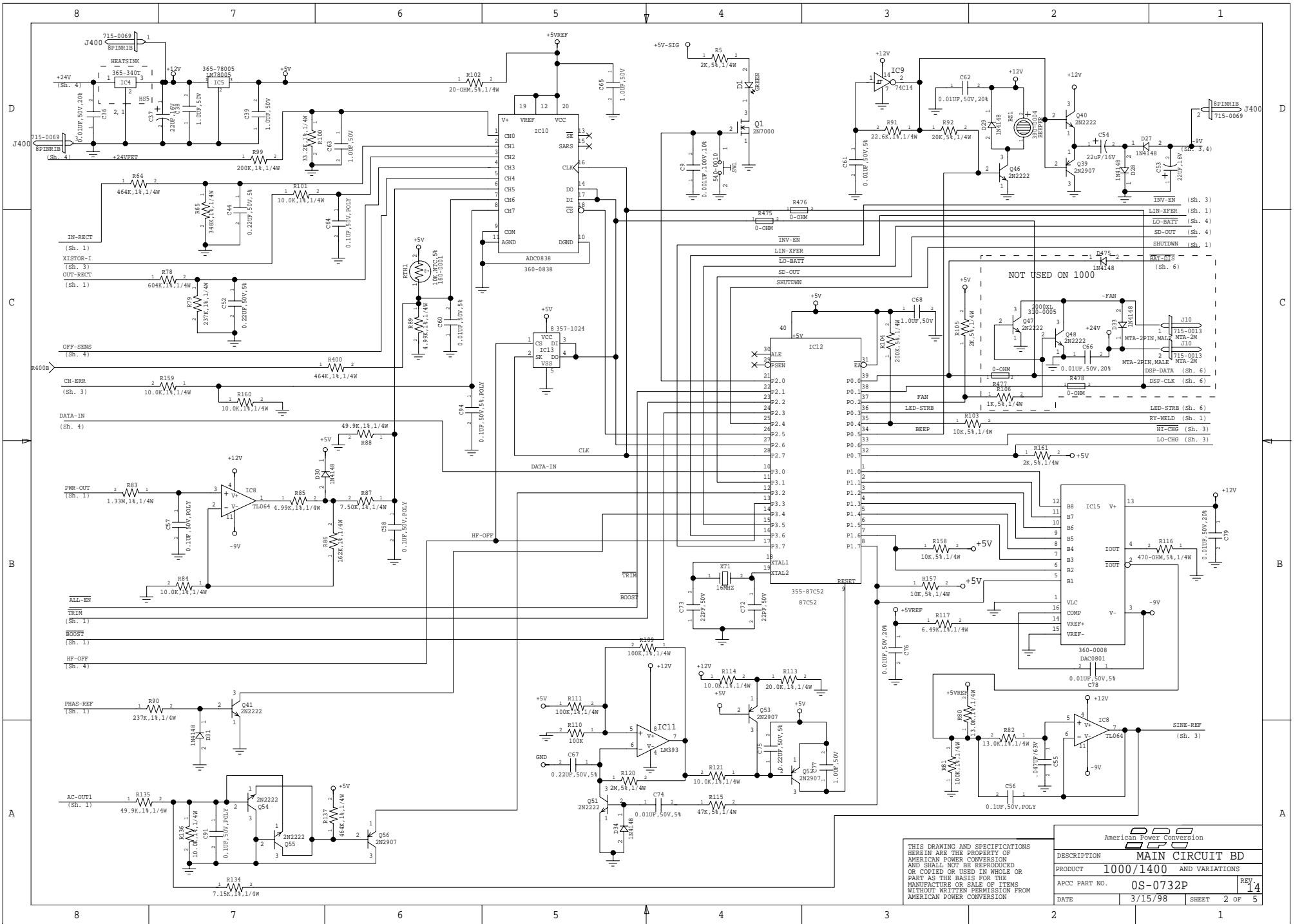
REV.	PCB REV.	ECO#	PAGE (ZONE)	DESCRIPTION	DATE	APPRVL
1						

REVISION STATUS		DESCRIPTION	
PCB DESIGNER	MCH	DATE	9/10/93
ENGINEER	RCL	DATE	9/10/93
CHECKED		DATE	
DMG FILE:	E732-P14	APCC PART NO.	0S-0732P
		DATE:	3/15/98

REVISION STATUS		DESCRIPTION	
PCB DESIGNER	MCH	DATE	9/10/93
ENGINEER	RCL	DATE	9/10/93
CHECKED		DATE	
DMG FILE:	E732-P14	APCC PART NO.	0S-0732P
		DATE:	3/15/98

THIS DRAWING AND SPECIFICATIONS HEREIN ARE THE PROPERTY OF AMERICAN POWER CONVERSION AND SHALL NOT BE REPRODUCED OR COPIED OR USED IN WHOLE OR PART AS THE BASIS FOR THE MANUFACTURE OR SALE OF ITEMS WITHOUT WRITTEN PERMISSION FROM AMERICAN POWER CONVERSION.

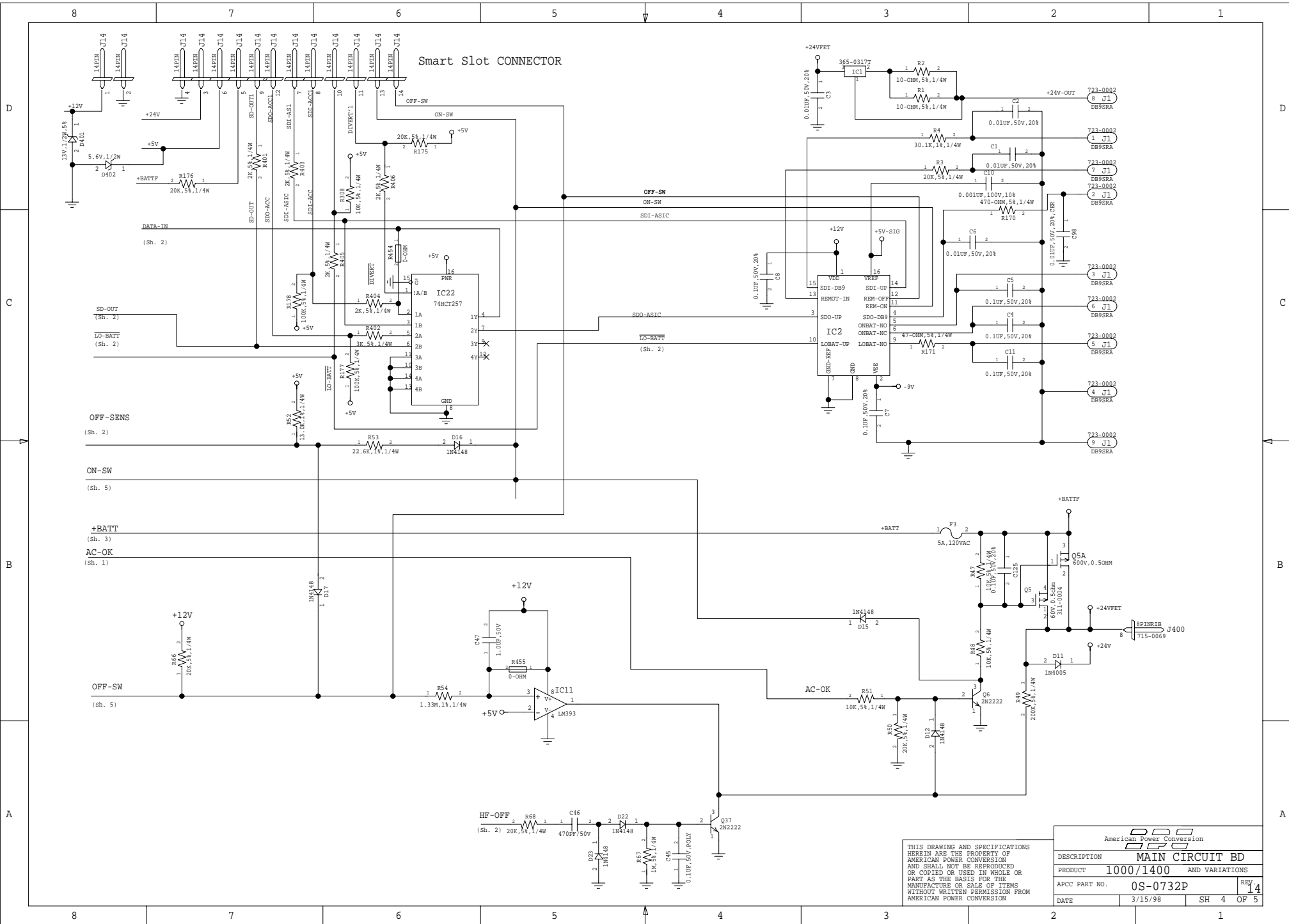
NOTE 1. VALUES SHOWN FOR SUI1400. SEE BOM FOR OTHER MODEL VALUES.
NOTE 2. INSERT W1, W2 IN PLACE OF RELAY SEE BOM



THIS DRAWING AND SPECIFICATIONS
HEREIN ARE THE PROPERTY OF
AMERICAN POWER CONVERSION
AND SHALL NOT BE REPRODUCED
OR COPIED OR USED IN WHOLE OR
PART AS THE BASIS FOR THE
MANUFACTURE OR SALE OF ITEMS
WITHOUT WRITTEN PERMISSION FROM
AMERICAN POWER CONVERSION

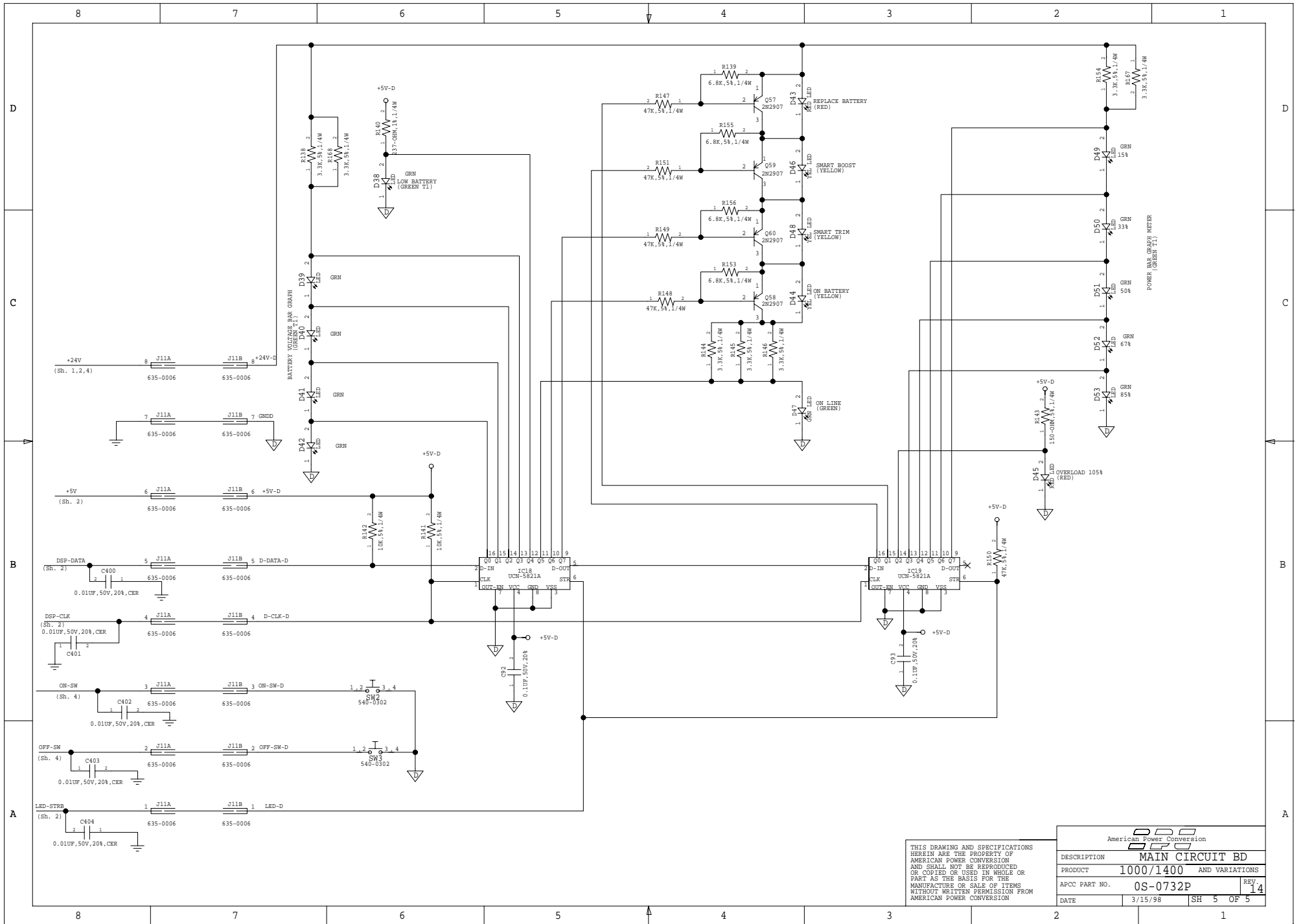
American Power Conversion			
DESCRIPTION	MAIN CIRCUIT BD		
PRODUCT	1000/1400 AND VARIATIONS		
APCC PART NO.	OS-0732P	REV	14
DATE	3/15/98	SHEET	2 OF 5

Smart Slot CONNECTOR



THIS DRAWING AND SPECIFICATIONS
HEREIN ARE THE PROPERTY OF
AMERICAN POWER CONVERSION
AND SHALL NOT BE REPRODUCED
OR COPIED OR USED IN WHOLE OR
PART AS THE BASIS FOR THE
MANUFACTURE OR SALE OF ITEMS
WITHOUT WRITTEN PERMISSION FROM
AMERICAN POWER CONVERSION

American Power Conversion	
DESCRIPTION	MAIN CIRCUIT BD
PRODUCT	1000/1400 AND VARIATIONS
APCC PART NO.	OS-0732P
DATE	3/15/98
REV	14
SH	4 OF 5



THIS DRAWING AND SPECIFICATIONS
HEREIN ARE THE PROPERTY OF
AMERICAN POWER CONVERSION
AND SHALL NOT BE REPRODUCED
OR COPIED OR USED IN WHOLE OR
PART AS THE BASIS FOR THE
MANUFACTURE OR SALE OF ITEMS
WITHOUT WRITTEN PERMISSION FROM
AMERICAN POWER CONVERSION

American Power Conversion			
MAIN CIRCUIT BD			
DESCRIPTION	1000/1400 AND VARIATIONS		
PRODUCT	OS-0732P		
APCC PART NO.	OS-0732P	REV.	14
DATE	3/15/98	SH	5 OF 5