



Service Manual

Created: 09 July 2016



EURORACK UB2222FX-PRO

Ultra-Low Noise Design 22-Input 2/2-Bus Mic/Line Mixer with Premium Mic Preampers and Multi-FX Processor

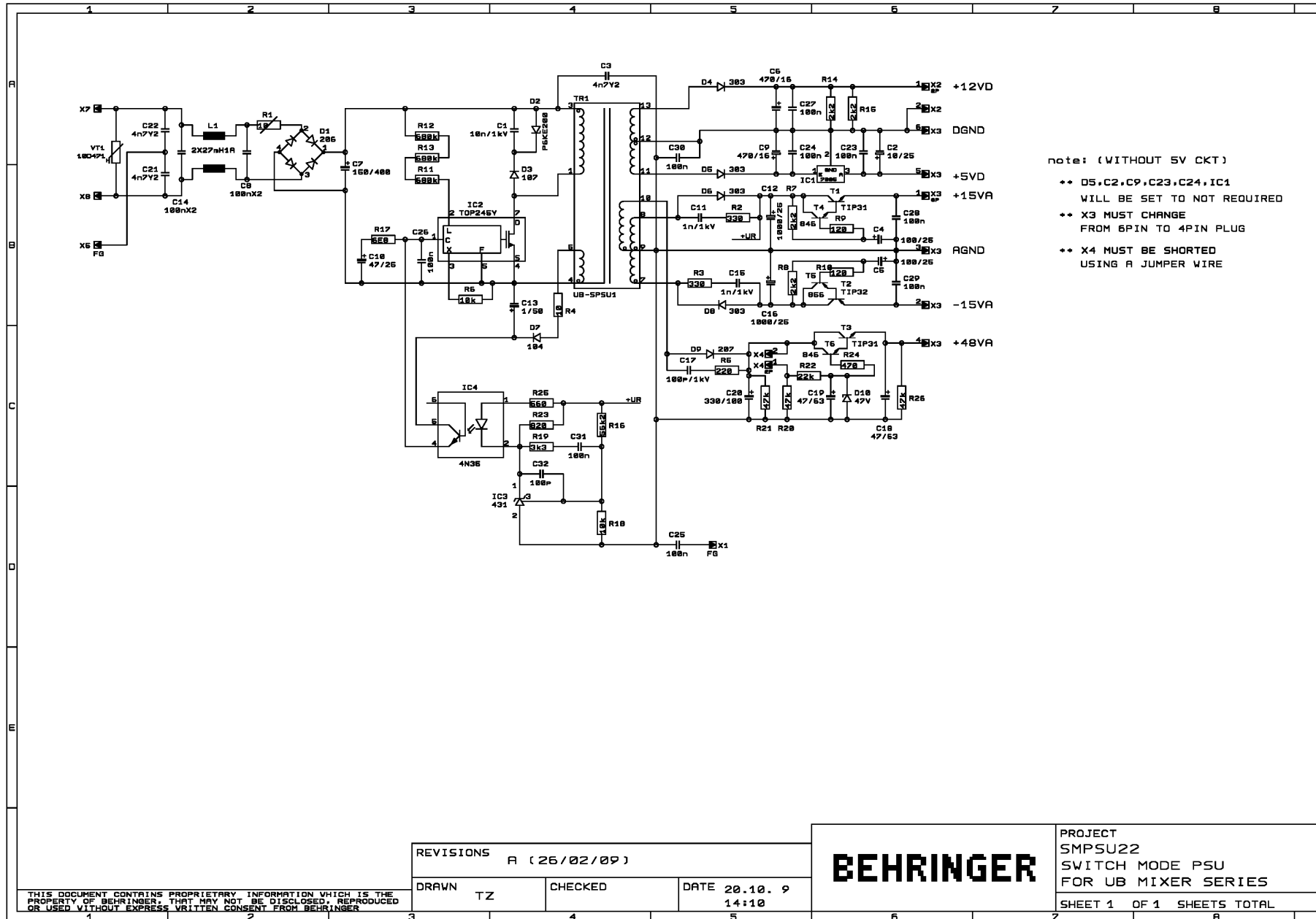
Specifications	2
PCB Schematic	3
Parts List	17
Exploded Drawing	32

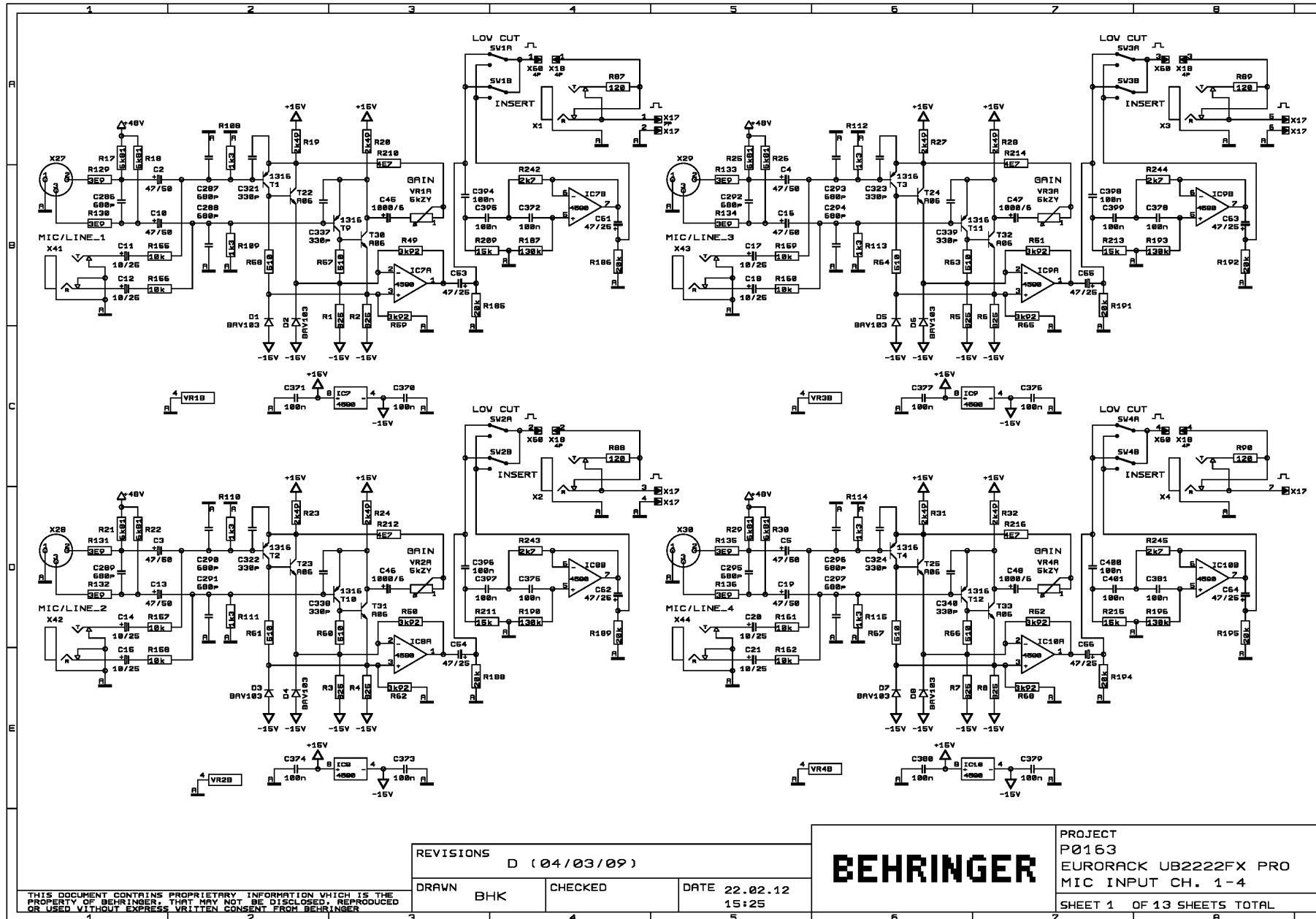
© 2016 MUSIC Group IP Ltd. All third party trademarks mentioned belong to their respective owners and are not affiliated with MUSIC Group IP Ltd. All information (including drawings and diagrams) contained in this document is the property of MUSIC Group IP Ltd., its subsidiaries or content providers, and is protected by intellectual property (copyright, trademark, patents, etc) laws, international treaty provisions and other laws. Any unauthorized disclosure, use, application, reproduction, modification, lease, sale, transmission or any other dealings in the information may violate applicable laws and result in civil and/or (where applicable) criminal liabilities and penalties.

EUORACK UB222FX-PRO

Specifications

- Ultra-low noise design, highest possible headroom, ultra-transparent audio
- 8 state-of-the-art, studio-grade IMP "Invisible" Mic Preamps with 130 dB dynamic range for 24-bit, 192 kHz sampling rate inputs
- Studio-grade stereo FX processor with 100 awesome presets including reverb, chorus, flanger, delay, pitch shifter and various multi-effects
- Effective, extremely musical 3-band EQ with semi-parametric mid band plus switchable low-cut filter on all mono channels
- Inserts on each mono channel for flexible connection of outboard equipment
- 16 balanced, high-headroom line inputs with +4/-10 level selection on stereo channels
- 3 aux sends per channel: one pre fader for monitoring, one pre/post fader switchable for monitoring/FX applications and one post fader (for internal FX or as external send)
- Clip LEDs, mute, main mix and subgroup routing switches plus solo and PFL functions on all channels
- 2 subgroups with separate outputs for added routing flexibility
- 3 multi-functional stereo aux returns with flexible routing
- Balanced main mix outputs with TRS and gold-plated XLR connectors, separate control room, headphone and 2-track outputs
- Control room/headphone outputs with multi-input source matrix
- 2-track inputs assignable to main mix or control room/headphone outputs
- Switchable +48 V phantom power for condenser microphones
- Rack mount brackets included
- Internal switch-mode power supply for maximum flexibility (100 – 240 V~), noise-free audio, superior transient response plus lowest possible power consumption for energy saving
- 3-Year Warranty Program*
- Conceived and designed by BEHRINGER Germany



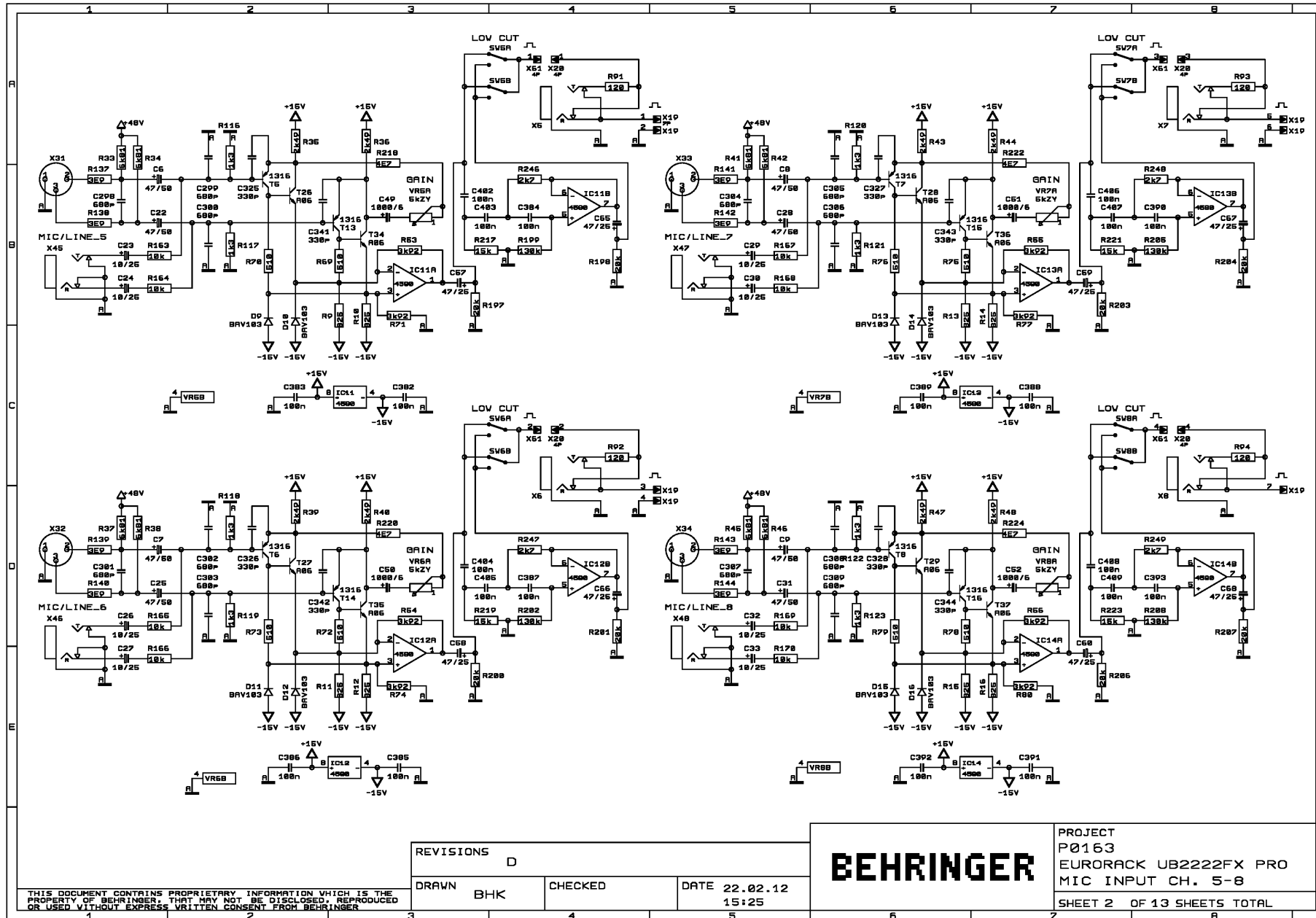


REVISIONS		
D (04/03/09)		
DRAWN	CHECKED	DATE
BHK		22.02.12
		15:25

BEHRINGER

PROJECT
P0163
EURORACK UB2222FX PRO
MIC INPUT CH. 1-4
SHEET 1 OF 13 SHEETS TOTAL

THIS DOCUMENT CONTAINS PROPRIETARY INFORMATION WHICH IS THE PROPERTY OF BEHRINGER THAT MAY NOT BE DISCLOSED, REPRODUCED OR USED WITHOUT EXPRESS WRITTEN CONSENT FROM BEHRINGER.

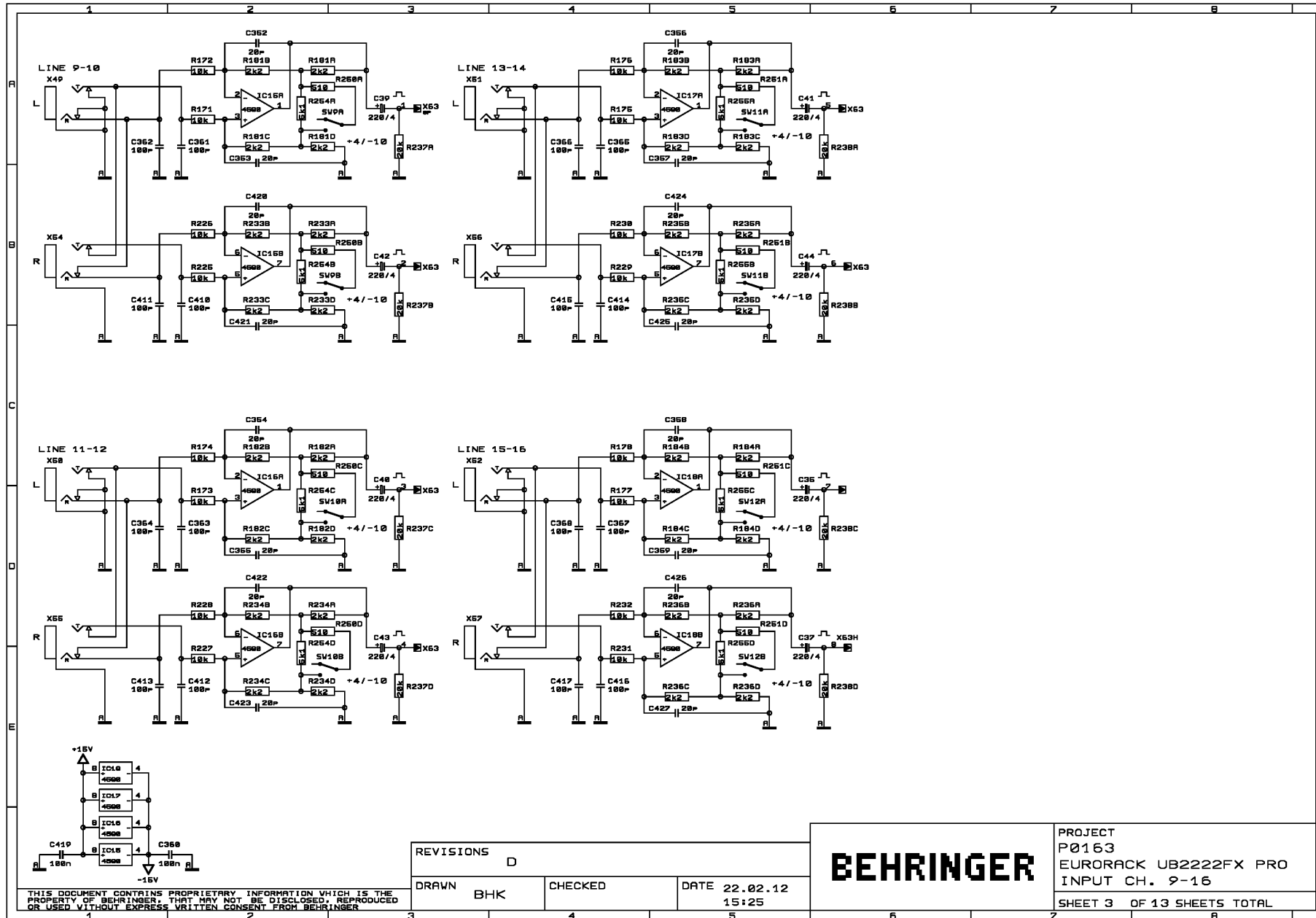


REVISIONS		
D		
DRAWN	CHECKED	DATE
BHK		22.02.12
		15:25

BEHRINGER

PROJECT
P0163
EURORACK UB2222FX PRO
MIC INPUT CH. 5-8
SHEET 2 OF 13 SHEETS TOTAL

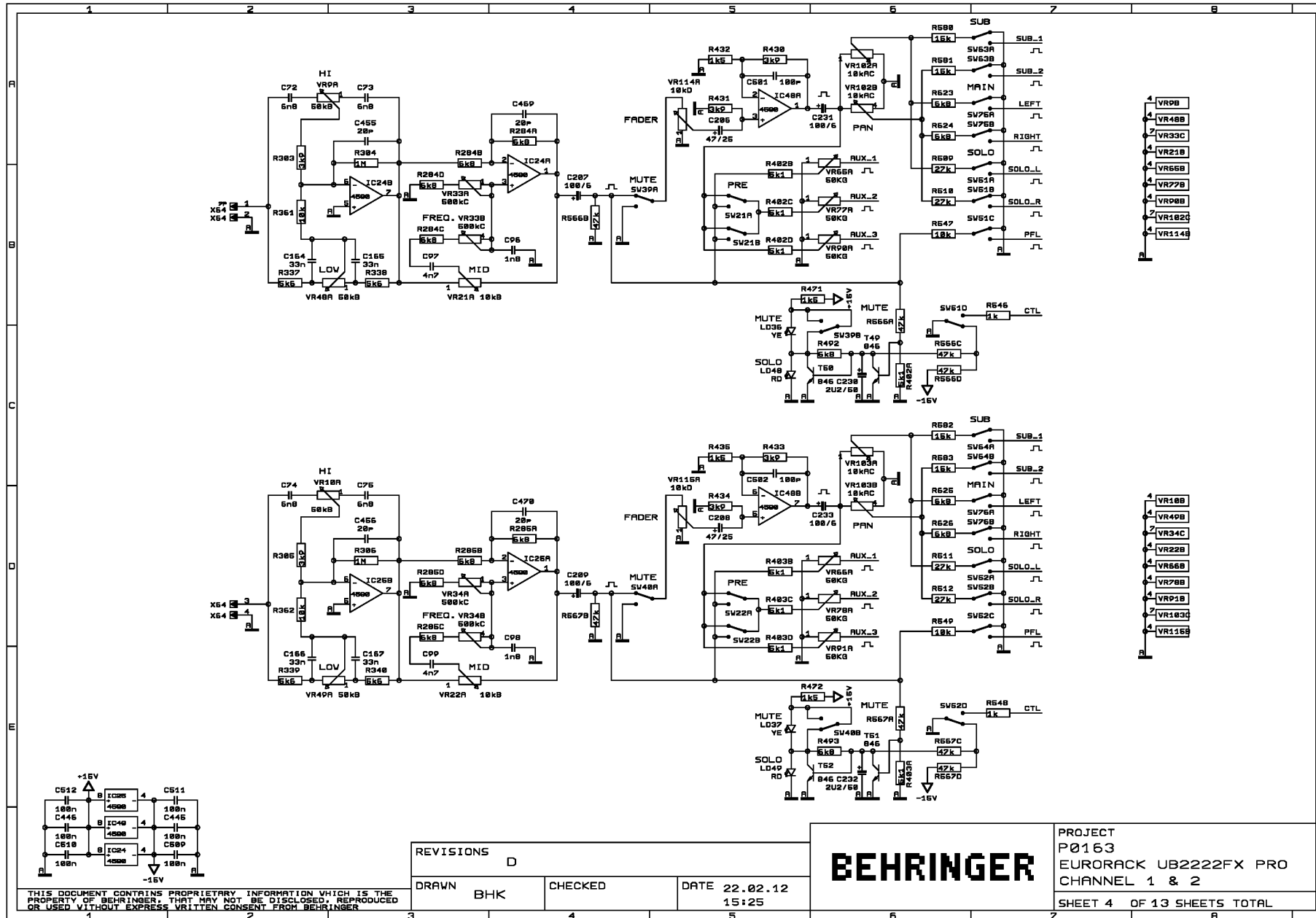
THIS DOCUMENT CONTAINS PROPRIETARY INFORMATION WHICH IS THE PROPERTY OF BEHRINGER THAT MAY NOT BE DISCLOSED, REPRODUCED OR USED WITHOUT EXPRESS WRITTEN CONSENT FROM BEHRINGER.



REVISIONS		D
DRAWN	BHK	CHECKED
DATE		22.02.12
		15:25

BEHRINGER

PROJECT
P0163
EURORACK UB2222FX PRO
INPUT CH. 9-16
SHEET 3 OF 13 SHEETS TOTAL

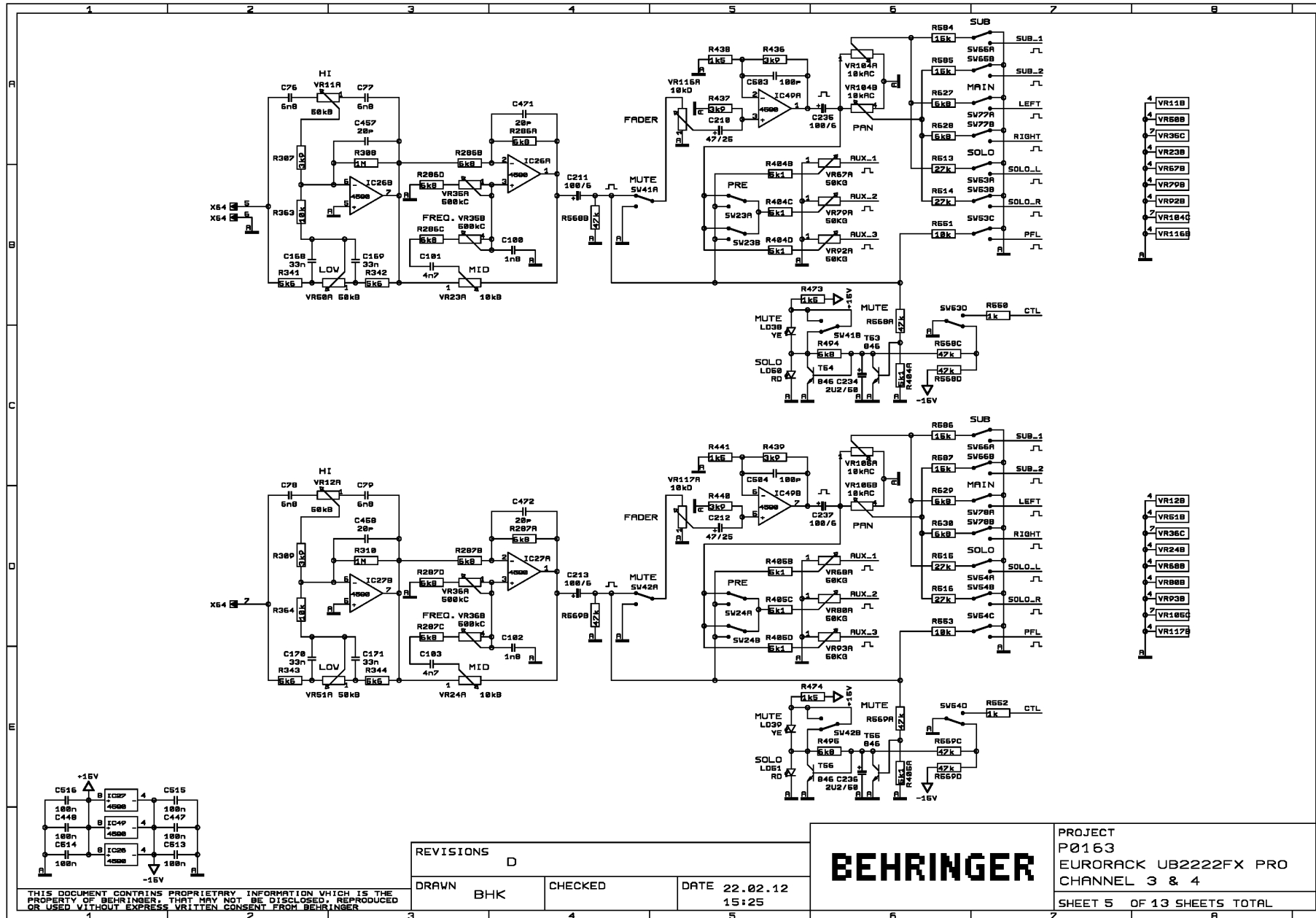


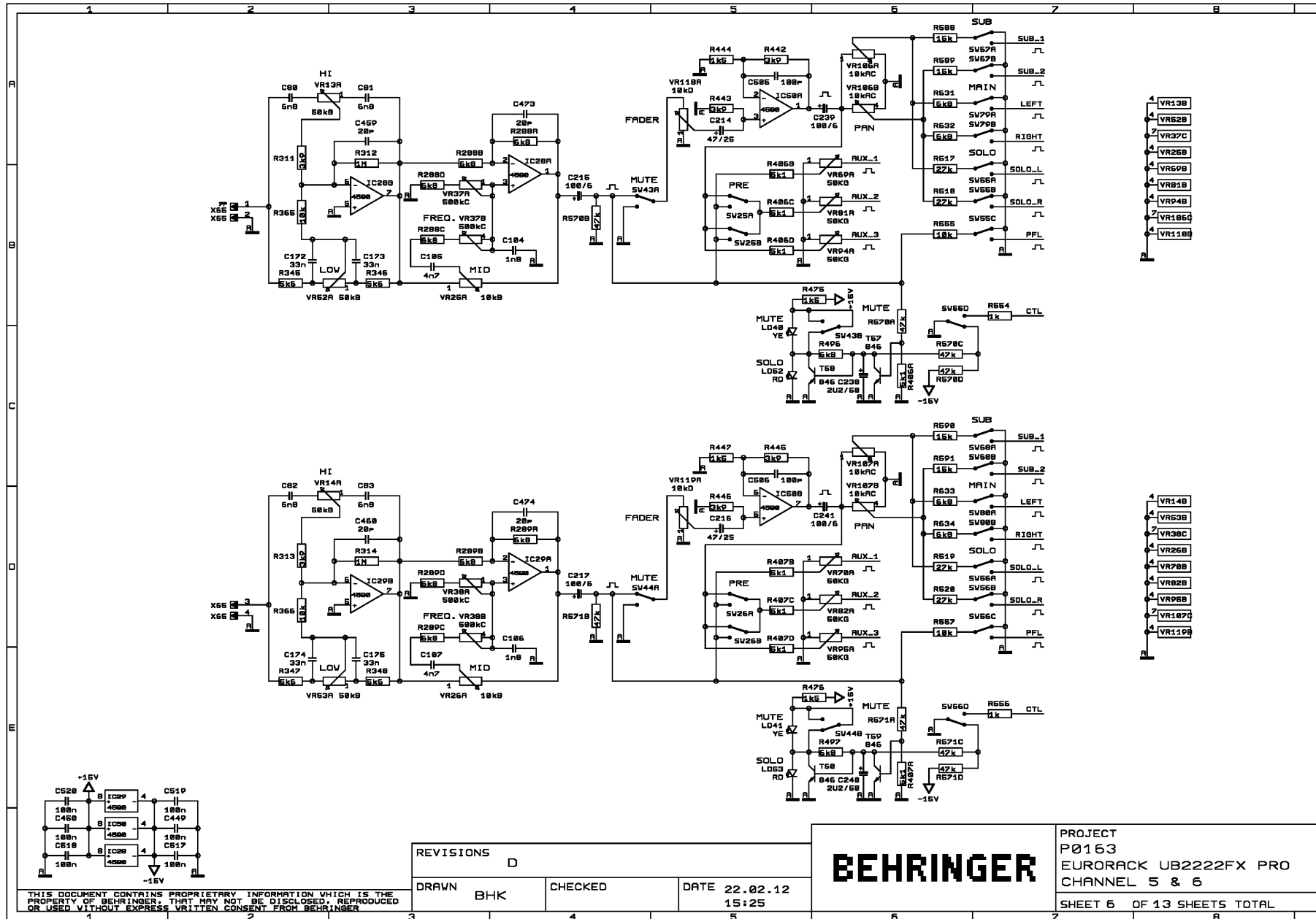
REVISIONS		D
DRAWN	BHK	CHECKED
DATE		22.02.12
		15:25

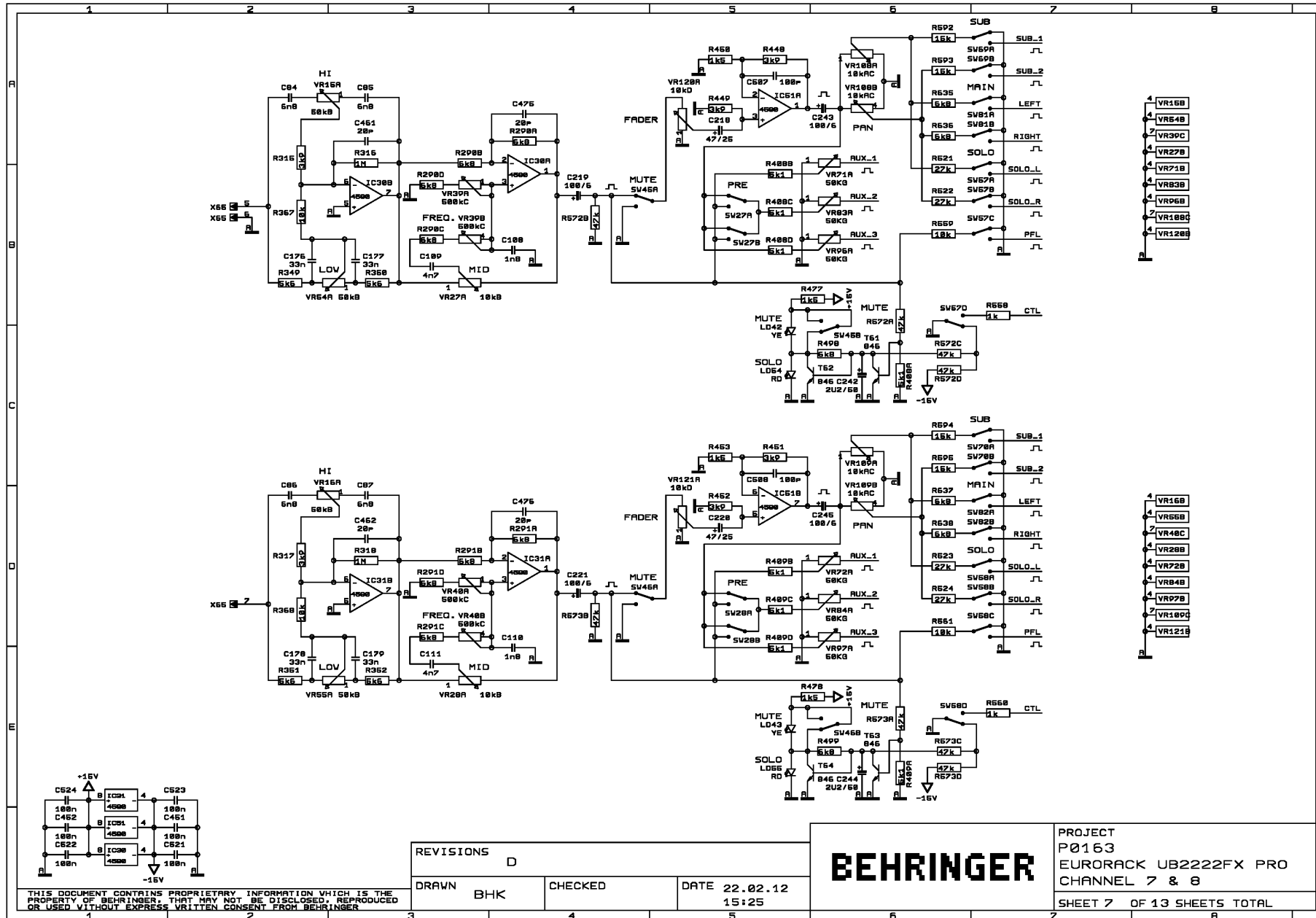
BEHRINGER

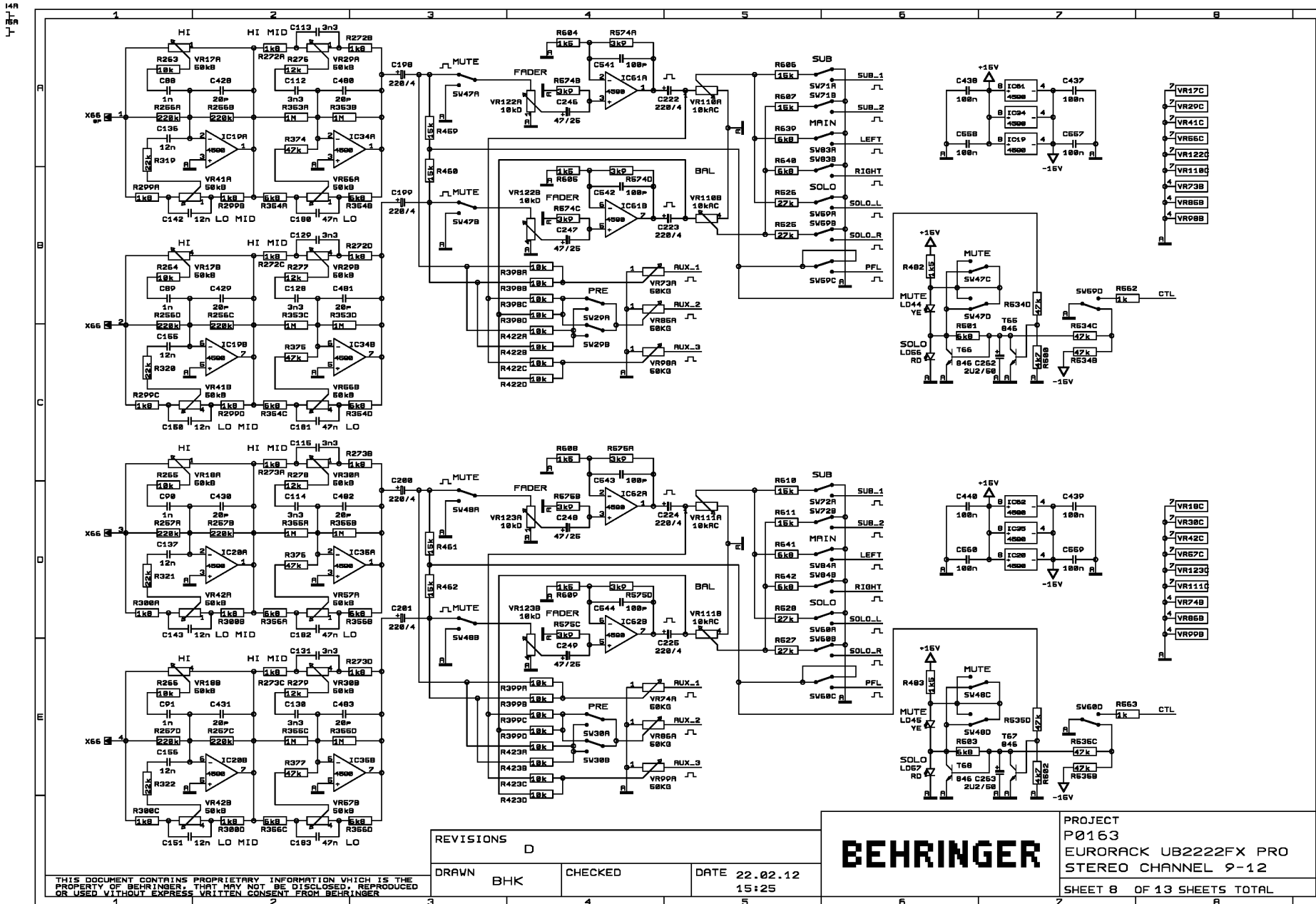
PROJECT
P0163
EURORACK UB2222FX PRO
CHANNEL 1 & 2
SHEET 4 OF 13 SHEETS TOTAL

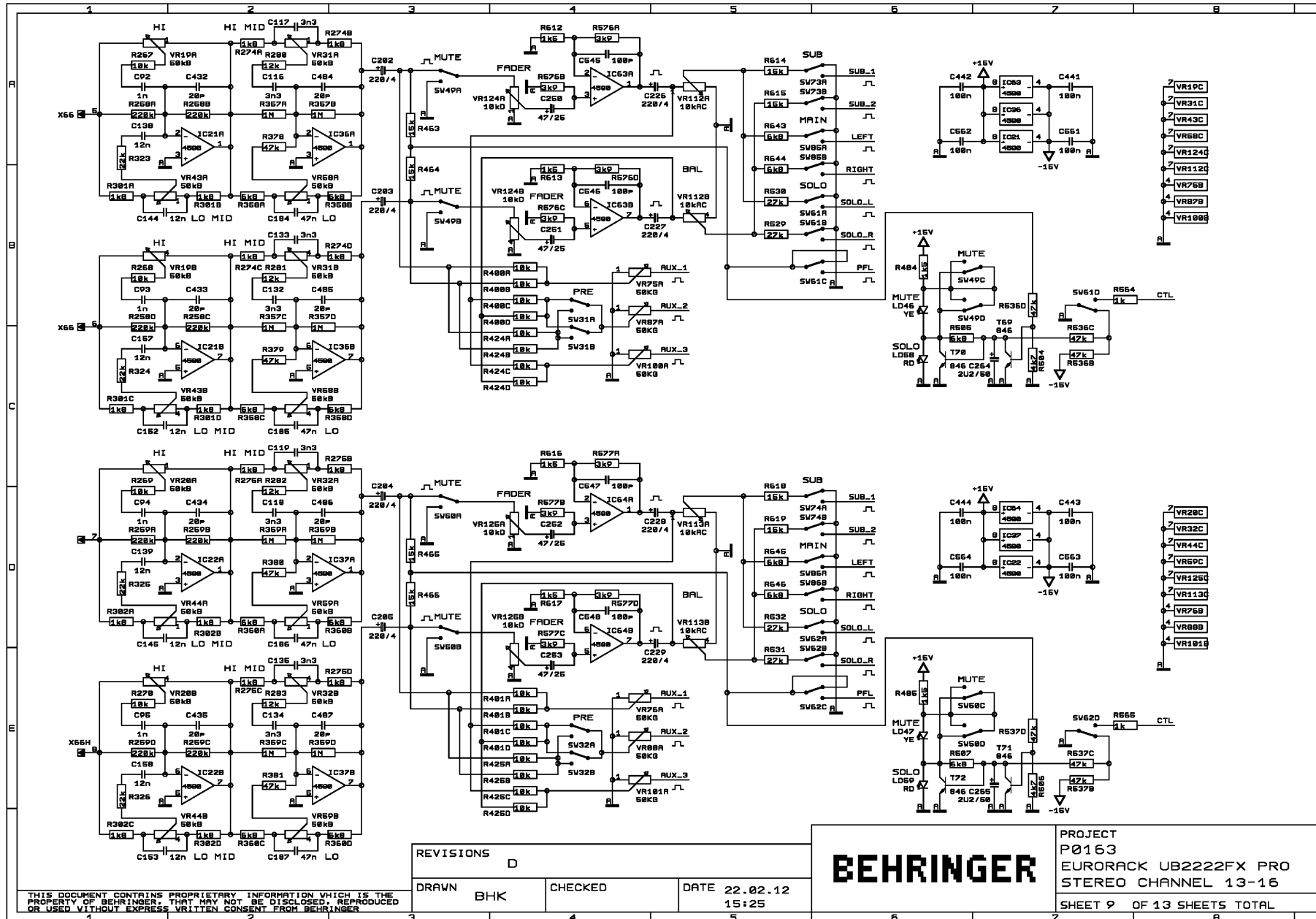
THIS DOCUMENT CONTAINS PROPRIETARY INFORMATION WHICH IS THE PROPERTY OF BEHRINGER. THAT MAY NOT BE DISCLOSED, REPRODUCED OR USED WITHOUT EXPRESS WRITTEN CONSENT FROM BEHRINGER.









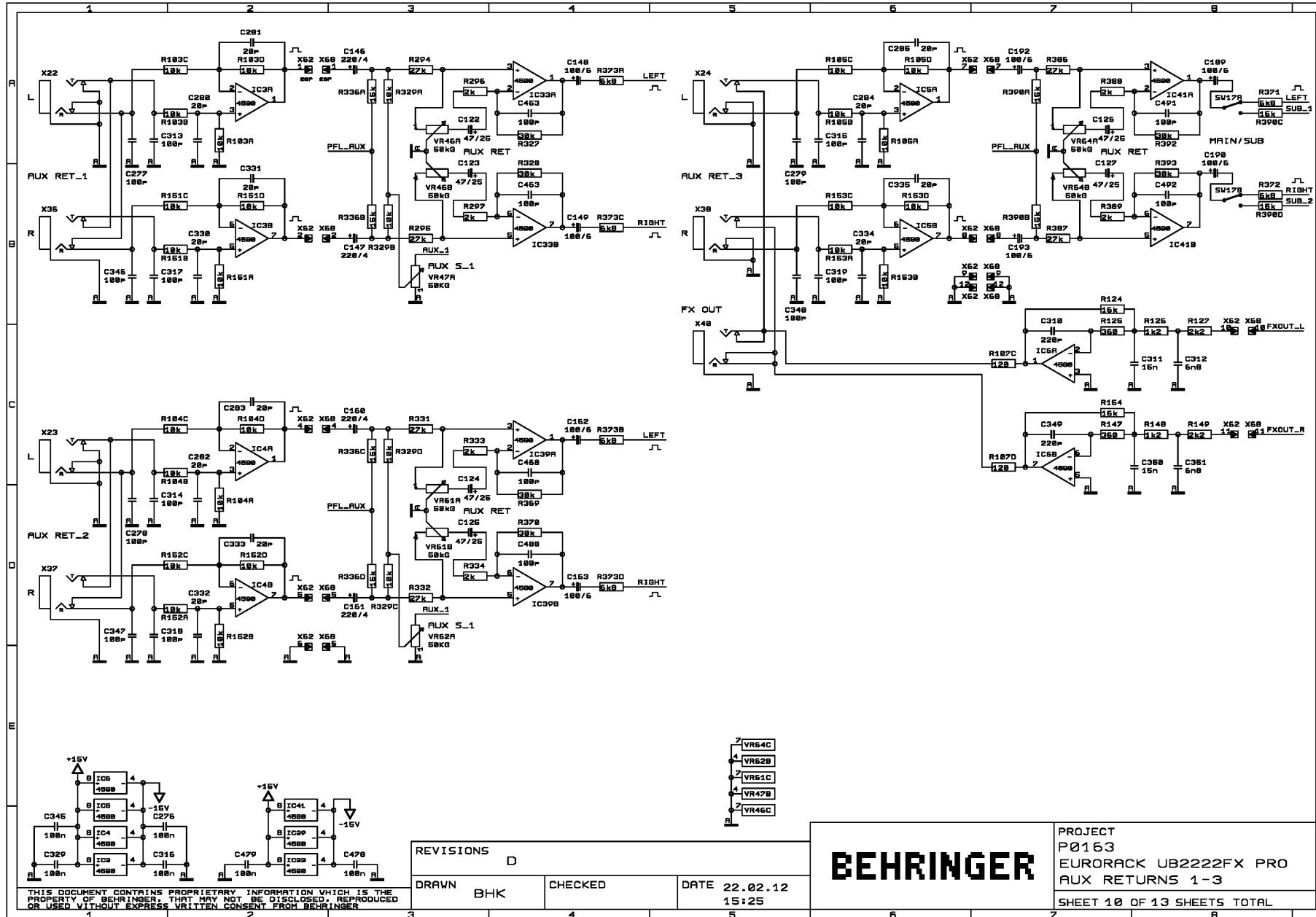


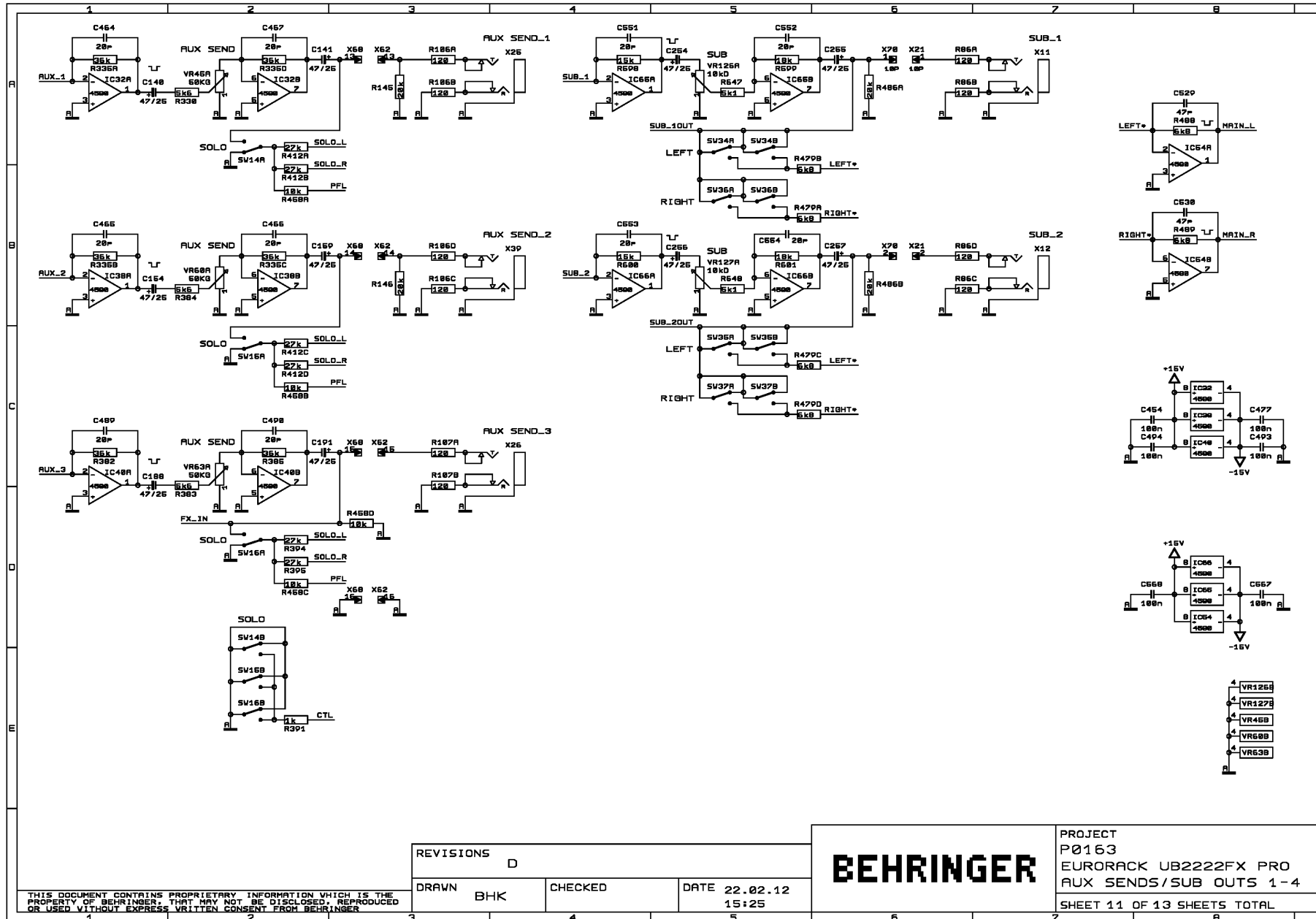
REVISIONS		D
DRAWN	BHK	CHECKED
DATE		22.02.12
		15:25

BEHRINGER

PROJECT
P0163
EURORACK UB2222FX PRO
STEREO CHANNEL 13-15
SHEET 9 OF 13 SHEETS TOTAL

THIS DOCUMENT CONTAINS PROPRIETARY INFORMATION WHICH IS THE PROPERTY OF BEHRINGER THAT MAY NOT BE DISCLOSED, REPRODUCED OR USED WITHOUT EXPRESS WRITTEN CONSENT FROM BEHRINGER



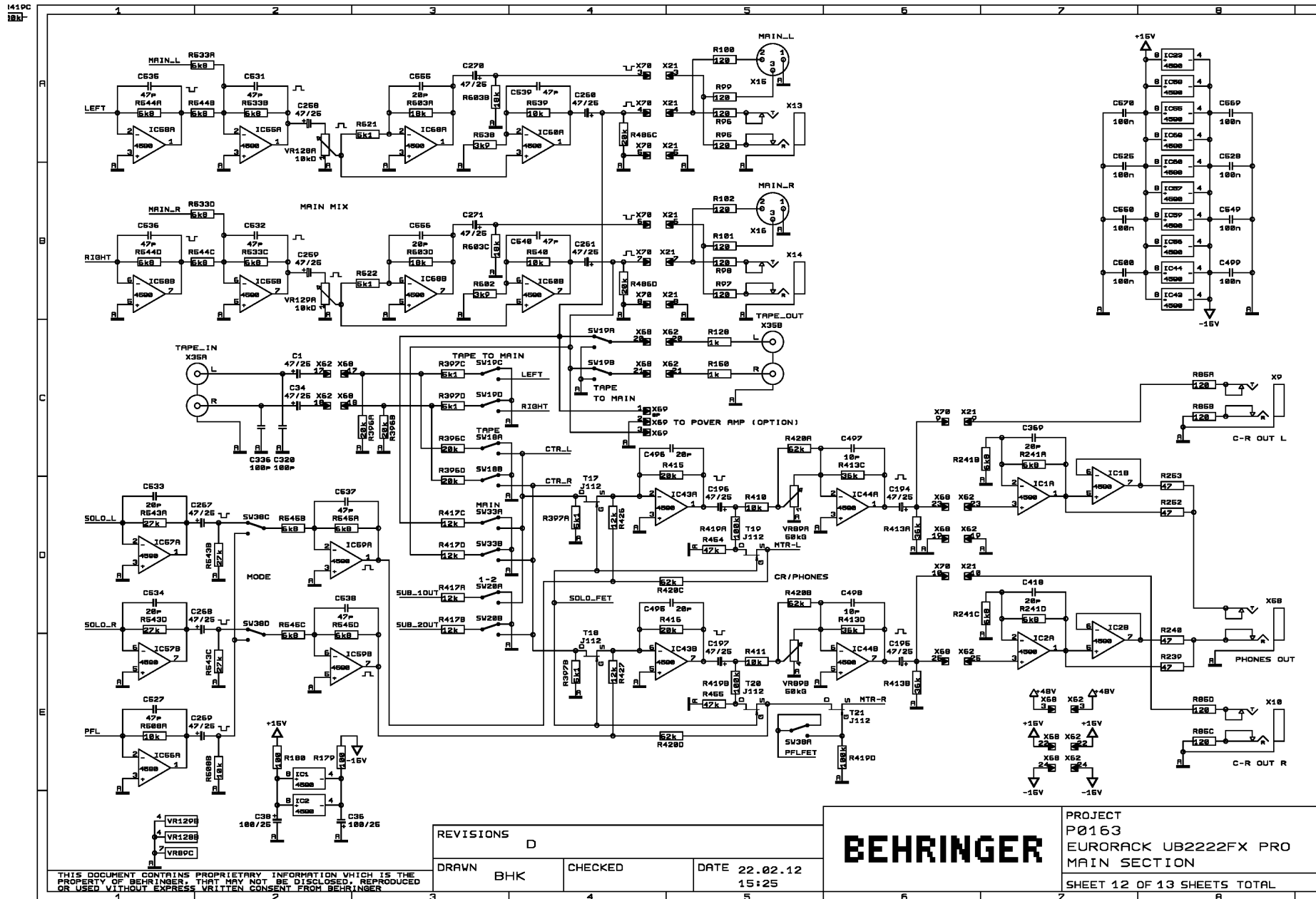


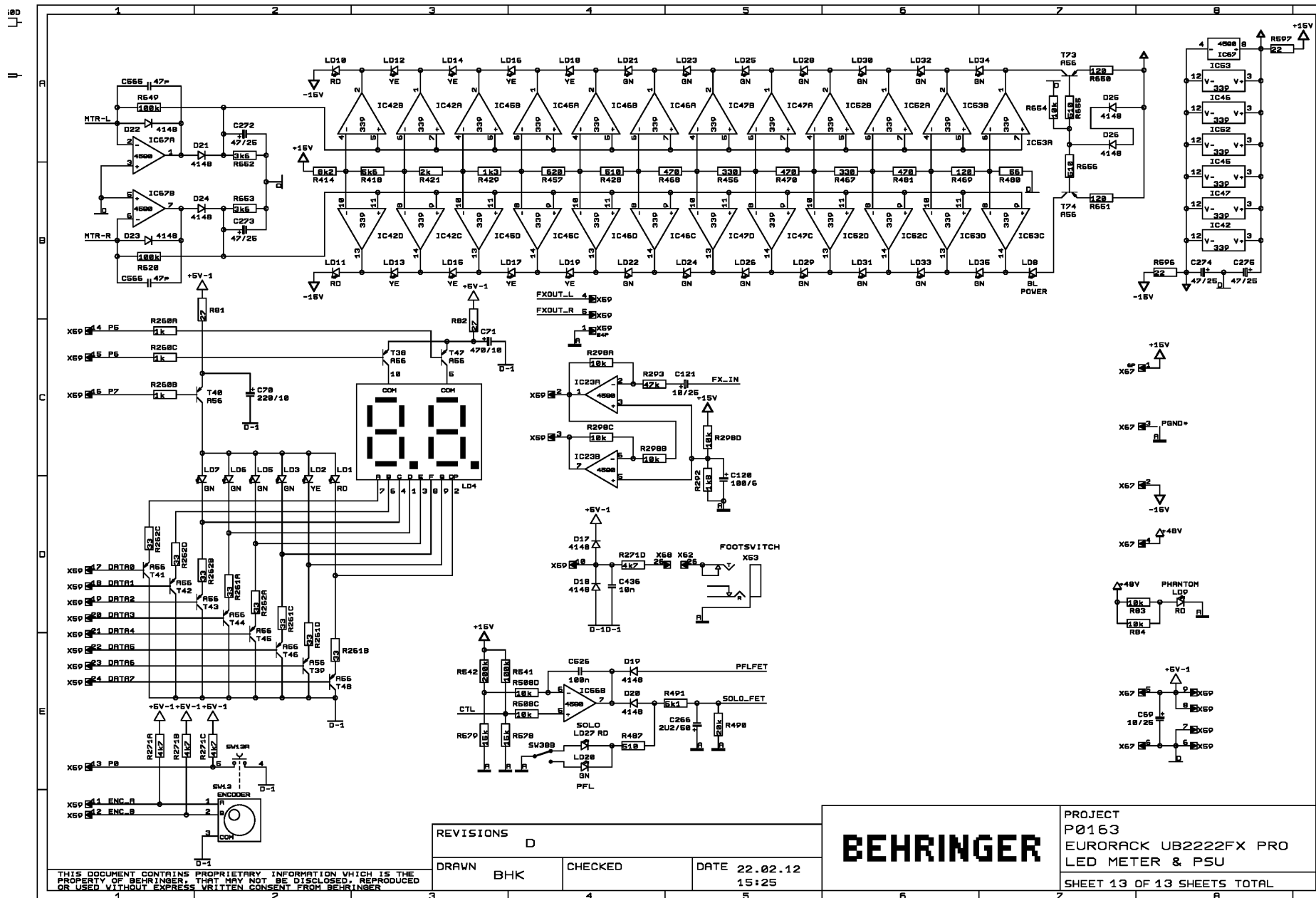
REVISIONS		
D		
DRAWN	CHECKED	DATE
BHK		22.02.12
		15:25

BEHRINGER

PROJECT
P0163
EURORACK UB2222FX PRO
AUX SENDS/SUB OUTS 1-4
SHEET 11 OF 13 SHEETS TOTAL

THIS DOCUMENT CONTAINS PROPRIETARY INFORMATION WHICH IS THE PROPERTY OF BEHRINGER. THAT MAY NOT BE DISCLOSED, REPRODUCED OR USED WITHOUT EXPRESS WRITTEN CONSENT FROM BEHRINGER.





Service Assemblies

	Quantity	Unit	S.Sku	M.Sku	Description	Reference Designators	Notes
1			Q04-00000-08216	A09-16000-00000	SPARE PART;P0160;SUB ASSEMBLY;UB-SPSU1	[EXTRA SPARE]	
2			Q05-92500-00000	A09-16200-00002	SPARE PART;P0162;PCB ASSEMBLY;DPM5V1000;REV:B;HI	[EXTRA SPARE]	
3			Q05-16302-00429	A09-16300-00004	SPARE PART;P0163;REV:D;PCB ASSEMBLY;PCB:2;HI	[EXTRA SPARE]	
4			Q05-16301-00427	A09-16300-07004	SPARE PART;P0163;REV:D;MAIN;PCB ASSEMBLY;UB2222FX PRO;PCB:1;HI	[EXTRA SPARE]	
5			Q05-16303-00431	A09-16300-20004	SPARE PART;P0163;REV:D;INPUT;PCB ASSEMBLY;PCB:3;HI	[EXTRA SPARE]	

Hi Pcb Assemblies

	Quantity	Unit	S.Sku	M.Sku	Description	Reference Designators	Notes
1	1.0000	PC		A05-00000-09291	PCB ASSEMBLY;SMPSU22;REV:A;HAND INSERT;NO.926020		
2	1.0000	PC		A05-48600-17101	PCB ASSEMBLY;P0486;A;Hi;PSU;SMPSU22;926020		

Cable

	Quantity	Unit	S.Sku	M.Sku	Description	Reference Designators	Notes
1	0.2620	M		A74-00000-00726	WIRE;RAW FLAT CABLE;UL2651;AWG:28;POLES:26;GRAY;PIN1:RED;PITCH:1mm27		
2	1.0000	PC	Q74-00040-25726	A74-00040-25726	CABLE;FLAT;P:2mm54;LENGTH:250mm;AWG:28;FC1/FD;+10/-0mm;POLES:26	[2: {1.0}(X62)]	
3	0.0000	PC		A81-06030-46742	WIRE HARNESS;LENGTH:60mm;AWG:26;P:2mm;SHS;HOUSING-BOARD IN CONNECTOR;POLES:4;PIN1 RED/OTHERS BLK		
4	2.0000	PC		A81-06030-46842	WIRE HARNESS;LENGTH:60mm;AWG:26;UL2468;P:2mm;ZEE;HOUSING-BOARD IN CONNECTOR;POLES:4;PIN1 RED/OTHERS BLK	[3: {2.0}(X18,X20)]	
5	1.0000	PC		A81-06030-86742	WIRE HARNESS;LENGTH:60mm;AWG:26;P:2mm;SHS;HOUSING-BOARD IN CONNECTOR;POLES:8;PIN1 RED/OTHERS BLK		
6	1.0000	PC		A81-06030-86842	WIRE HARNESS;LENGTH:60mm;AWG:26;P:2mm;SHS;ZEE;HOUSING-BOARD IN CONNECTOR;POLES:8;PIN1 RED/OTHERS BLK	[2: {1.0}(X63)]	
7	0.0000	PC		A81-11030-76742	WIRE HARNESS;LENGTH:110mm;AWG:26;P:2mm;SHS;HOUSING-BOARD IN CONNECTOR;POLES:7;PIN1 RED/OTHERS BLK		
8	2.0000	PC		A81-11030-76842	WIRE HARNESS;LENGTH:110mm;AWG:26;UL2468;P:2mm;ZEE;HOUSING-BOARD IN CONNECTOR;POLES:7;PIN1 RED/OTHERS BLK	[3: {2.0}(X17,X19)]	
9	1.0000	PC		A81-12030-66040	WIRE HARNESS;LENGTH:120mm;AWG:26;P:2mm;HOUSING-BOARD IN CONNECTOR;POLES:6;PIN1 RED/OTHERS BLK		
10	1.0000	PC		A81-12030-66840	WIRE HARNESS;LENGTH:120mm;ZEE;AWG:26;UL2468;P:2mm;HOUSING-BOARD IN CONNECTOR;POLES:6;PIN1 RED/OTHERS BLK	[P0486:00: {1.0}(X3)]	
11	1.0000	PC		A81-21030-26820	WIRE HARNESS;LENGTH:210mm;ZEE;AWG:26;P:2mm;HOUSING-STRIPPED/TINNED 5mm;POLES:2;PIN1 RED/OTHERS BLK		
12	0.0000	PC		A81-33031-06742	WIRE HARNESS;LENGTH:330mm;AWG:26;P:2mm;SHS;HOUSING-BOARD IN CONNECTOR;POLES:10;PIN1 RED/OTHERS BLK		
13	1.0000	PC		A81-33031-06842	WIRE HARNESS;LENGTH:330mm;AWG:26;P:2mm;ZEE;HOUSING-BOARD IN CONNECTOR;POLES:10;PIN1 RED/OTHERS BLK	[3: {1.0}(X21)]	
14	1.0000	PC	Q76-15222-06417	A76-15222-06417	CABLE;AC-CORD;W/POLYBAG;LENGTH:152cm;AWG:18;VERSION;UL;SPEC.NO:06417		(UL)
15	1.0000	PC	Q76-15212-03119	A76-15212-03119	CABLE;AC-CORD;W/POLYBAG;LENGTH:152cm;H05VV-F 3G 0.75MM2;VERSION;EU;SPEC_NO:03119		(EU)
16	1.0000	PC	Q76-18050-47490	A76-18050-06505	CABLE;AC-CORD;LENGTH:180cm;VERSION:SAA;PLUG:HE105 ISOLATED;SAA H05VV-F 3x0.75mm2;CONN.HP-3;PANYU		(SAA)
17	1.0000	PC	Q76-18050-47490	A76-18050-47490	CABLE;AC-CORD;LENGTH:180cm;VERSION:SAA;PLUG:HE105 ISOLATED;SAA H05VV-F 3x0.75mm2;CONN.HP-3;SPEC.NO:47490		(SAA)
18	1.0000	PC	Q76-15042-05624	A76-15042-05624	CABLE;AC-CORD;W/POLYBAG;LENGTH:150cm;H05VV-F3G0.75MM2;VERSION;UK;SPEC.NO:05624		(UK)
19	1.0000	PC	Q76-15032-55649	A76-15032-55649	CABLE;AC-CORD;CLASS II;W/POLYBAG;JAPAN;LENGTH:150cm;POLES:3;APPROVAL:PSE;JS155 3 + VCTF 3x0.75mm2 + V1528		(JP, JPHM, JPSH)
20	1.0000	PC	Q76-00000-05305	A76-00000-05305	CABLE;AC-CORD;3;BR;1500 MM;Plug + Connector:375+730;H05VV-F 3G0.75		(BR)

Capacitor

	Quantity	Unit	S.Sku	M.Sku	Description	Reference Designators	Notes
1	28.0000	PC			CAP E;220uF;4V;PITCH:2mm5;5mm x 11mm;VERTICAL 12.7-15-9mm	[P0163:01:[20.0](C146-C147,C160-C161,C198-C205,C222-C229)]	*NOT available in DP
2	25.0000	PC			CAP E;100uF;6V;PITCH:2mm5;5mm x 11mm;VERTICAL 12.7-15-9mm	[P0163:01:[25.0](C120,C148-C149,C162-C163,C189-C190,C192-C193,C207,C209,C211,C213,C215,C217,C219,C221,C231,C233,C235,C237,C239,C241,C243,C245)]	*NOT available in DP
3	1.0000	PC			CAP E;220uF;10V;PITCH:2mm5;6mm x 11mm;VERTICAL 12.7-15-9mm	[P0163:01:[1.0](C70)]	*NOT available in DP
4	19.0000	PC			CAP E;10uF;25V;PITCH:2mm5;5mm x 11mm;VERTICAL 12.7-15-9mm	[SMPSU22:00:[1.0](C2)]	*NOT available in DP
5	68.0000	PC			CAP E;47uF;25V;PITCH:2mm5;5mm x 11mm;VERTICAL 12.7-15-9mm	[00000:[1.0](C10)]	*NOT available in DP
6	4.0000	PC			CAP E;100uF;25V;PITCH:2mm5;6mm x 12mm;VERTICAL 12.7-15-9mm	[00000:[2.0](C4-C5)]	*NOT available in DP
7	1.0000	PC			CAP E;1uF;50V;PITCH:2mm5;5mm x 11mm;VERTICAL 12.7-15-9mm	[00000:[1.0](C13)]	*NOT available in DP
8	13.0000	PC			CAP E;2uF2;50V;PITCH:2mm5;5mm x 11mm;VERTICAL 12.7-15-9mm	[P0163:01:[13.0](C230,C232,C234,C236,C238,C240,C242,C244,C262-C266)]	*NOT available in DP
9	2.0000	PC			CAP E;47uF;63V;PITCH:2mm5;6mm x 11mm;VERTICAL 12.7-15-9mm	[00000:[2.0](C18-C19)]	*NOT available in DP
10	8.0000	PC			CAP E;1mF;6V;PITCH:3mm5;8mm x 14mm;PRECUT:3mm2 -0/+0mm2	[2:[8.0](C45-C52)]	*NOT available in DP
11	1.0000	PC			CAP E;470uF;10V;PITCH:3mm5;8mm x 12mm;PRECUT:3mm2 -0/+0mm2	[1:[1.0](C71)]	*NOT available in DP
12	1.0000	PC			CAP E;1uF;25V;PITCH:2mm5;4mm x 7mm;PRECUT:3mm2 -0/+0mm2	[DPM5V1000:00:[1.0](C7)]	*NOT available in DP
13	4.0000	PC			CAP E;10uF;25V;PITCH:2mm5;4mm x 7mm;PRECUT:3mm2 -0/+0mm2	[DPM5V1000:00:[4.0](C1-C3,C5)]	*NOT available in DP
14	2.0000	PC			CAP E;47uF;25V;PITCH:2mm5;5mm x 7mm;PRECUT:3mm2 -0/+0mm2	[DPM5V1000:00:[2.0](C4,C6)]	*NOT available in DP
15	1.0000	PC			CAP E;330uF;100V;PITCH:5mm;PRECUT:3mm2 -0/+0mm2;13 x 25mm	[SMPSU22:00:[1.0](C20)]	*NOT available in DP
16	1.0000	PC			CAP CER;1uF;16V;X7R;10%;SMT805	[DPM5V1000:00:[1.0](C18)]	*NOT available in DP
17	1.0000	PC			CAP CER;100pF;25V;COG;10%;SMT805	[SMPSU22:00:[1.0](C32)]	*NOT available in DP
18	2.0000	PC			CAP CER;10pF;50V;10%;SMT603	[1:[2.0](C497-C498)]	*NOT available in DP
19	78.0000	PC			CAP CER;20pF;50V;20%;SMT603	[1:[48.0](C428-C435,C455-C462,C464-C467,C469-C476,C480-C487,C489-C490,C495-C496,C533-C534,C551-C556)]	*NOT available in DP
20	13.0000	PC			CAP CER;47pF;50V;5%;COG(NPO);SMT603	[1:[13.0](C527,C529-C532,C535-C540,C565-C566)]	*NOT available in DP
21	52.0000	PC			CAP CER;100pF;50V;20%;SMT603	[1:[22.0](C453,C463,C468,C488,C491-C492,C501-C508,C541-C548)]	*NOT available in DP
22	2.0000	PC			CAP CER;220pF;50V;10%;SMT603	[2:[2.0](C310,C349)]	*NOT available in DP
23	16.0000	PC			CAP CER;330pF;50V;20%;SMT603	[2:[16.0](C321-C328,C337-C344)]	*NOT available in DP
24	24.0000	PC			CAP CER;680pF;50V;10%;SMT603	[2:[24.0](C286-C309)]	*NOT available in DP
25	2.0000	PC			CAP CER;6nF8;50V;10%;SMT603	[2:[2.0](C312,C351)]	*NOT available in DP
26	2.0000	PC			CAP CER;15nF;50V;10%;SMT603	[2:[2.0](C311,C350)]	*NOT available in DP
27	2.0000	PC			CAP CER;20pF;50V;10%;SMT805	[DPM5V1000:00:[2.0](C15-C16)]	*NOT available in DP
28	1.0000	PC			CAP CER;2nF2;50V;10%;SMT805	[DPM5V1000:00:[1.0](C10)]	*NOT available in DP
29	1.0000	PC			CAP CER;10nF;50V;10%;SMT805	[1:[1.0](C436)]	*NOT available in DP
30	121.0000	PC			CAP CER;100nF;50V;X7R;10%;SMT805	[SMPSU22:00:[9.0](C23-C31)]	*NOT available in DP
31	16.0000	PC			CAP MYL;33nF;50V;10%;PITCH:5mm;DIPPED;VERTICAL 12.7-15-9mm	[P0163:01:[16.0](C164-C179)]	*NOT available in DP
32	8.0000	PC			CAP MYL;1nF;50V;10%;PITCH:3mm5;DIPPED;PRECUT 3mm1+/-0mm5	[1:[8.0](C88-C95)]	*NOT available in DP
33	16.0000	PC			CAP MYL;3nF3;50V;10%;PITCH:3mm5;DIPPED;PRECUT 3mm1+/-0mm5	[1:[16.0](C112-C119,C128-C135)]	*NOT available in DP

	Quantity	Unit	S.Sku	M.Sku	Description	Reference Designators	Notes
34	8.0000	PC			CAP MYL;47nF;50V;10%;PITCH:5mm5;DIPPED;PRECUT:3mm1 +/-0mm5	[1: {8.0}{C180-C187}]	*NOT available in DP
35	8.0000	PC			CAP MYL;2nF7;100V;10%;PITCH:3mm5;DIPPED;PRECUT 3mm1 +/-0mm5	[1: {8.0}{C96,C98,C100,C102,C104,C106,C108,C110}]	*NOT available in DP
36	8.0000	PC			CAP MYL;4nF7;100V;10%;PITCH:3mm5;DIPPED;PRECUT 3mm1 +/-0mm5	[1: {8.0}{C97,C99,C101,C103,C105,C107,C109,C111}]	*NOT available in DP
37	16.0000	PC			CAP MYL;6nF8;100V;10%;PITCH:3mm5;DIPPED;PRECUT 3mm1 +/-0mm5	[1: {16.0}{C72-C87}]	*NOT available in DP
38	16.0000	PC			CAP MYL;12nF;100V;10%;PITCH:4mm;DIPPED;PRECUT:3mm1 +/-0mm5	[1: {16.0}{C136-C139,C142-C145,C150-C153,C155-C158}]	*NOT available in DP
39	3.0000	PC			CAP Y2;4nF7;275V;PITCH:7mm5;Y2	[SMPSU22:00: {3.0}{C3,C21-C22}]	*NOT available in DP
40	1.0000	PC			CAP E;150uF;400V;PITCH:10mm;25mmx30mm;SNAP-IN;PRECUT:3mm2 -0/+0mm2	[SMPSU22:00: {1.0}{C7}]	*NOT available in DP
41	2.0000	PC	R12-32100-04351	B12-32100-04351	CAP X2;100nF;275V;PITCH:15mm;CASE:8mm5 x 18mm;CASE:8mm5 x 18mm;PRECUT:3.1mm +/-0mm5	[SMPSU22:00: {2.0}{C8,C14}]	
42	1.0000	PC			CAP E;470uF;16V;PITCH:3mm5;8mm x 14mm;PRECUT:3mm2 -0/+0mm2;LOW ESR	[SMPSU22:00: {1.0}{C9}]	*NOT available in DP
43	2.0000	PC			CAP E;1mF;25V;PITCH:5mm;10mm x 20mm;PRECUT:3mm2 -0/+0mm2;LOW ESR	[SMPSU22:00: {2.0}{C12,C16}]	*NOT available in DP
44	1.0000	PC			CAP CER;100pF;1KV;20%;PITCH:5mm;DISC;VERTICAL 12.7-15-9mm	[00000: {1.0}{C17}]	*NOT available in DP
45	2.0000	PC			CAP CER;1nF;1KV;20%;PITCH:5mm;DISC;VERTICAL 12.7-15-9mm	[00000: {2.0}{C11,C15}]	*NOT available in DP
46	1.0000	PC			CAP CER;10nF;1KV;20%;PITCH:10mm;DISC;PRECUT:3mm1 +/-0mm5	[SMPSU22:00: {1.0}{C1}]	*NOT available in DP
47	1.0000	PC			CAP E;470uF;25V;PITCH:3mm5;8mm x 14mm;PRECUT:3mm2 -0/+0mm2;105C	[SMPSU22:00: {1.0}{C6}]	*NOT available in DP
48	16.0000	PC			CAP E;47uF;50V;PITCH:2mm5;6mm x 11mm;LOW LEAKAGE;VERTICAL 12.7-15-9mm	[P0163:02: {16.0}{C2-C10,C13,C16,C19,C22,C25,C28,C31}]	*NOT available in DP

Circuit Protector

	Quantity	Unit	S.Sku	M.Sku	Description	Reference Designators	Notes
1	1.0000	PC	R22-01513-16001	B22-01513-16001	FUSE;1A6;250V;SLOW BLOW;H-TYPE;5mm x 20mm		

Coil

	Quantity	Unit	S.Sku	M.Sku	Description	Reference Designators	Notes
1	1.0000	PC		B34-00000-43407	COIL;LINE FILTER;25 mH;20 MM;UT20 L:25mH MIN@1KHZ,0.25V	[SMPSU22:00: {1.0}{L1}]	
2	3.0000	PC	R39-00000-03394	B39-00000-03394	COIL;SMD;BEAD;SMD0805;(BLM21BD751SN1D)	[DPMSV1000:00: {3.0}{L1-L3}]	

Connector

	Quantity	Unit	S.Sku	M.Sku	Description	Reference Designators	Notes
1	8.0000	PC	R84-25016-06014	B84-25016-06014	CRIMP TERMINAL;PITCH:2mm0;AWG24-30;A2008TOP-2		
2	1.0000	PC	R84-42050-00155	B84-42050-00155	CRIMP CONNECTOR;LUG;INNER DIA:4mm3;AWG 14-18;WIRE MOUNT;STRAIGHT		
3	2.0000	PC	R95-01320-03303	B95-01320-03303	CONNECTOR;XLR;SOCKET;MALE;STRAIGHT;POLES:3	[3: {2.0}{X15-X16}]	
4	8.0000	PC	R95-01340-03300	B95-01340-03300	CONNECTOR;XLR;SOCKET;FEMALE;STRAIGHT;POLES:3		
5	8.0000	PC	R95-14340-00164	B95-14340-00164	CONNECTOR;XLR;SOCKET;FEMALE;STRAIGHT;POLES:3;NO:06;(CHUN SHENG CT3-02HF)	[2: {8.0}{X27-X34}]	

Diode

	Quantity	Unit	S.Sku	M.Sku	Description	Reference Designators	Notes
1	1.0000	PC			DIODE;HER104;DO41;RADIAL	[SMPSU22:00:{1.0}(D7)]	*NOT available in DP
2	1.0000	PC			DIODE;HER107;DO41;RADIAL	[SMPSU22:00:{1.0}(D3)]	*NOT available in DP
3	1.0000	PC			DIODE;HER207;DO15;RADIAL	[SMPSU22:00:{1.0}(D9)]	*NOT available in DP
4	4.0000	PC			DIODE;HER303;DO27;RADIAL	[SMPSU22:00:{4.0}(D4-D6,D8)]	*NOT available in DP
5	16.0000	PC			DIODE;BAV103;SOD80;TEMIC	[2:{16.0}(D1-D16)]	*NOT available in DP
6	13.0000	PC			DIODE;LL4148;LL34;TEMIC OR FC;SMD	[1:{10.0}(D17-D26)]	*NOT available in DP
7	1.0000	PC			DIODE;P6KE;200A;DO15	[00000:{1.0}(D2)]	*NOT available in DP
8	1.0000	PC			DIODE;ZPD47V0;DO35;TEMIC OR FC	[SMPSU22:00:{1.0}(D10)]	*NOT available in DP
9	1.0000	PC	X80-24270-20600	H80-24270-20600	RECTIFIER;BRIDGE;KBP206G	[SMPSU22:00:{1.0}(D1)]	

Display

	Quantity	Unit	S.Sku	M.Sku	Description	Reference Designators	Notes
1	1.0000	PC	S28-27040-24476	C28-27040-24476	DISPLAY;LED;HEIGHT:0in4;PATTERN:8.8.;RD;LDD4265-10/A	[1:{1.0}(LD4)]	

Hardware

	Quantity	Unit	S.Sku	M.Sku	Description	Reference Designators	Notes
1	0.5500	G			THERM-GREASE;COLOR:WHT;SPEC.NO:09286		*NOT available in DP
2	2.3760	G			SCREWLOCK;SPEC.NO:01090		*NOT available in DP
3	1.0000	PC			HEX. NUT;INNER DIA;M4mm;SURFACE:ZINC		*NOT available in DP
4	41.0000	PC			HEX. NUT;FOR JACK;M 3/8in;HEXWRENCH:11mm;THICKNESS:2mm;SURFACE:NICKEL/SLV		*NOT available in DP
5	1.0000	PC			HEX. NUT;FOR JACK;M 3/8in;HEXWRENCH:11mm;THICKNESS:2mm4;SURFACE:NICKEL/SILVER		*NOT available in DP
6	16.0000	PC			SCREW;M3mm*5mm;HEAD:PAN;INSERT:PHILIPS REC.;SURFACE:BLACK/ZINC		*NOT available in DP
7	3.0000	PC			SCREW;M3mm*6mm;HEAD:PAN;INSERT:PHILIPS REC.;SURFACE:SILVER/ZINC		*NOT available in DP
8	25.0000	PC			SCREW;M3mm*6mm;HEAD:PAN;INSERT:PHILLIPS REC.;SURFACE:BLACK/ZINC		*NOT available in DP
9	28.0000	PC			SCREW;M3mm*6mm;HEAD:TRUSS DIA 5mm2;INSERT:PHILIPS REC.;SURFACE:BLACK/ZINC		*NOT available in DP
10	21.0000	PC			SCREW;BT3mm*8mm;HEAD:PAN;INSERT:PHILLIPS REC.;SURFACE:BLACK/ZINC		*NOT available in DP
11	3.0000	PC			SCREW;M03mm*08mm;HEAD:PAN SPRING WASHER;INSERT:PHILIPS REC.;SURFACE:SILVER/ZINC		*NOT available in DP
12	6.0000	PC			SCREW;M4mm*6mm;HEAD:PAN;INSERT:PHILIPS REC.;SURFACE:BLACK/ZINC		*NOT available in DP
13	1.0000	PC			SCREW;M4mm*10mm;HEAD:BINDING;INSERT:PHILIPS REC.;SURFACE:SILVER/ZINC		*NOT available in DP
14	2.0000	PC		F89-07018-00111	INSULATION SHEET;SI-RUBBER;TO220 W/HOLE;11mm*18mm		
15	1.0000	PC	V89-07022-00121	F89-07022-00121	INSULATION SHEET;SI-RUBBER;TO220;COVER		
16	1.0000	PC			METAL;SHIELD;UB-MIXER TRANSFORMER;DST.NO:002;DPT.NO:06841;(UB-MIXER-TRAFO_SHIELDING-REVB.DWG)		*NOT available in DP
17	1.0000	PC			SHIELD 01;UB MIXER;TIN SHEET;DWG.NO:24864;(R20-UB-SHIELD1-REVA.DWG)	[1: {1.0}{A1}]	*NOT available in DP
18	1.0000	PC			SILICA GEL;MASS;20g;SPEC.NO:20QB-BB2001-4		*NOT available in DP
19	1.0000	PC			STUD;THREAD-DIA;3mm;LENGTH:10mm5;EXT/INT;EXT;5mm		*NOT available in DP
20	1.0000	PC			STUD;THREAD-DIA;3mm;LENGTH:10mm5;INT/INT		*NOT available in DP
21	22.0000	PC			STUD;THREAD-DIA;3mm;LENGTH:13mm8;INT/INT		*NOT available in DP
22	4.0000	PC			STUD;THREAD-DIA;3mm;LENGTH:24mm3;INT/INT		*NOT available in DP
23	0.0300	M			SHRINKING TUBE;INNER DIA;3mm;SPEC.NO:01097		*NOT available in DP
24	0.0850	M			SHRINKING TUBE;INNER DIA;4mm;SPEC.NO:01098		*NOT available in DP
25	0.0600	M			SHRINKING TUBE;INNER DIA;6mm;SPEC.NO:01099		*NOT available in DP
26	42.0000	PC			WASHER;PLAIN;INNER DIA:9mm6;OUTER DIA:13mm;THICKNESS;0mm5;PLATING:NICKEL		*NOT available in DP
27	2.0000	PC			WASHER;EXTERNAL TEETH;INNER DIA:4mm;OUTER DIA:7mm;THICKNESS;1mm7		*NOT available in DP
28	1.0000	PC		F97-00600-11827	FILM;PROTECTIVE;DST.NO:006;DPT.NO:11827;(UB-SPSU-FOIL-REVF.DWG)		
29	2.0000	PC			BUSHING;MINIATURE;NYLON;DWG.NO:27886;(R20-SC-PLA_NYLBUSHM3x1_4.DWG)		*NOT available in DP

Ic

	Quantity	Unit	S.Sku	M.Sku	Description	Reference Designators	Notes
1	1.0000	PC	S60-54422-00528	C60-22422-00528	IC;AD/DA;V4220M;SSOP	[DPMSV1000:00: {1.0}]{IC2}	
2	1.0000	PC	S60-54422-00528	C60-54422-00528	IC;AD/DA;CS4220;SOP		
3	60.0000	PC	S73-59458-00508	C73-00000-29050	IC;OPAMP;SMD;SOP;8;BA4580RF	[1: {44.0}]{IC19-IC41,IC43-IC44,IC48-IC51,IC54-IC68}	
4	2.0000	PC	S73-59458-00408	C73-59458-00408	IC;OPAMP OPAMP;NJM4580L;SIP	[2: {2.0}]{IC1-IC2}	
5	16.0000	PC	S73-59458-00508	C73-59458-00508	IC;OPAMP OPAMP;NJM4580;SOP		
6	1.0000	PC	S74-41024-50707	C74-41024-50707	IC;POWER-CONVERSION;TOP245Y;TO-220-7C	[SMPSU22:00: {1.0}]{IC2}	
7	1.0000	PC	S74-61043-10803	C74-61043-10803	IC;POWER-CONVERSION;VOLT.REFERENCE;TO-92;TL431ACZ	[SMPSU22:00: {1.0}]{IC3}	
8	1.0000	PC	S77-05107-03110	C77-05107-03110	IC;VOLT.REGULATOR;7805F;FULLPACK;TO220		
9	6.0000	PC	S78-55133-90514	C78-55133-90514	IC;COMPARATOR;(SGS ONLY);LM339;SOP;SMD	[1: {6.0}]{IC42,IC45-IC47,IC52-IC53}	
10	1.0000	PC	T12-00100-02216	D12-00100-02217	IC;DIG COMM.;EUROTEC;V1000;SOIC	[DPMSV1000:00: {1.0}]{IC3}	
11	1.0000	PC	T24-18081-61832	D24-18081-61832	IC;MICROCONTROLLER;ATMEGA8A-AU;SMD;TQFP32		
12	1.0000	PC		D32-00106-02015	IC;PROGRAM;LABEL;DPMS;V1000;DATE:24.07.2006;REV:1.06	[DPMSV1000:00: {1.0}]{IC1}	

Led

	Quantity	Unit	S.Sku	M.Sku	Description	Reference Designators	Notes
1	1.0000	PC	U10-00000-28401	E10-00000-28401	LED HIB;3mm ROUND;AMBER;NORMAL BRIGHT;W/RING;LED;v:Typ.60mcd	[1: {1.0}]{LD8}	
2	4.0000	PC	U10-33565-00578	E10-33565-00578	LED HIB;2mm x 5mm;GREEN	[1: {4.0}]{LD3,LD5-LD7}	
3	1.0000	PC	U10-39585-00580	E10-39585-00580	LED HIB;2mm x 5mm;YELLOW	[1: {1.0}]{LD2}	
4	15.0000	PC	U10-53565-00588	E10-53565-00588	LED HIB;3mm ROUND;GREEN	[1: {15.0}]{LD20-LD26,LD28-LD35}	
5	20.0000	PC	U10-59585-00592	E10-59585-00592	LED HIB;3mm ROUND;YELLOW	[1: {20.0}]{LD12-LD19,LD36-LD47}	
6	1.0000	PC	U12-37630-00579	E12-37630-00579	LED;2mm x 5mm;RD	[1: {1.0}]{LD1}	
7	15.0000	PC	U12-57630-00590	E12-57630-00590	LED;3mm ROUND;RD	[1: {15.0}]{LD9-LD11,LD48-LD59}	
8	1.0000	PC		E12-67630-00595	LED;5mm ROUND;RD	[1: {1.0}]{LD27}	

Metal Part

	Quantity	Unit	S.Sku	M.Sku	Description	Reference Designators	Notes
1	1.0000	PC		A62-00500-00291	METAL;TRAY;UB2222FX-PRO;DST.NO:005;DPT.NO:00291;(R20-UB2222FX-BOTTOM_CAB-REVE.DWG)		
2	1.0000	PC		A62-02000-23975	METAL;POWER BRACKET;UB2222FX-PRO;DWG.NO:23975;(R20-UB2222FX-POWER_BRACKET-REVE.DWG)		
3	1.0000	PC		A62-02000-27452	METAL;POWER BRACKET COVER;UBSPSU;DWG.NO:27452;(R20-UB-POWER_BRACKET_COVER-REVB.DWG)		
4	2.0000	PC	Q65-22000-22174	A65-22000-22174	METAL;RACKMOUNT;UB2222FX-PRO;DWG.NO:22174;(R20-UB2222FX-RACKMOUNT-REVA.DWG)		
5	1.0000	PC	Q65-23000-24593	A65-23000-24593	METAL CLIP;DSP2000;DWG.NO:24593;(R14-DSP2000-CLIP-REVC.DWG)		
6	1.0000	PC		J02-00000-37008	METAL;P0163;TOPCAB;F003		

Plastic Part

	Quantity	Unit	S.Sku	M.Sku	Description	Reference Designators	Notes
1	4.0000	PC	W51-01200-01762	G51-01200-01762	RUBBER FOOT;STANDARD;SELF-ADHESIVE;COLOR:BLK;DWG.NO:01762		
2	1.0000	PC	W52-00200-10210	G52-00200-10210	ENCODER KNOB;BLACK;DST.NO:002;DPT.NO:10210;(PMX-ENCODERKNOB-REVB.DWG)		
3	12.0000	PC	W52-00200-11002	G52-00200-11002	KNOB;POT;(10);430C;CAP:BLACK;DST.NO:002;DPT.NO:11002;(PMX-POTKNOB(10)IIN]-REVB.DWG)		
4	6.0000	PC	W52-00200-00258	G52-00200-11003	KNOB;POT;(10);430C;CAP:WHITE;DST.NO:002;DPT.NO:11003;(PMX-POTKNOB(10)IIN]-REVB.DWG)		
5	12.0000	PC	W52-10509-30924	G52-00200-11096	KNOB;FADER;SMALL;BLACK;WHITE LINE;DWG.NO:30924;(FADER-KNOB-SMALL-01-REVB.DWG)		
6	2.0000	PC	W52-00100-00251	G52-00200-11108	KNOB;FADER;SMALL;430C;WHITE LINE;DST.NO:001;DPT.NO:11108;;(FADER-KNOB-SMALL-01-REVB.DWG)		
7	2.0000	PC	W52-00200-12087	G52-00200-12087	KNOB;FADER;SMALL;432C;WHITE LINE;DST.NO:2;DPT.NO:12087;(FADER-KNOB-SMALL-01-REVB.DWG)		
8	8.0000	PC	W52-00200-12256	G52-00200-12256	KNOB;POTENTIOMETER;(10);430C;CAP:288C;DST.NO:002;DPT.NO:12256;(PMX-POTKNOB(10)IIN]-REVB.DWG)		
9	39.0000	PC	W52-00200-12257	G52-00200-12257	KNOB;POTENTIOMETER;(10);430C;CAP:194C;DST.NO:002;DPT.NO:12257;(PMX-POTKNOB(10)IIN]-REVB.DWG)		
10	40.0000	PC	W52-00200-12258	G52-00200-12258	KNOB;POTENTIOMETER;(10);430C;CAP:289C;DST.NO:002;DPT.NO:12258;(PMX-POTKNOB(10)IIN]-REVB.DWG)		
11	8.0000	PC	W52-00300-02453	G52-00300-02453	KNOB;PMX-SERIES;GAIN POTENTIOMETER;DST.NO:003;DPT.NO:02453;(PMX-GAINKNOB-REVC.DWG)		
12	73.0000	PC	W52-00500-09353	G52-00500-09353	KNOB;SWITCH;UB-S;DST.NO:005;DPT.NO:09353;(UB-S_SWKNOB-REVC.DWG)		
13	12.0000	PC	W52-80508-23627	G52-80508-23627	KNOB;SWITCH;UB-L;7mm4;BLACK;DWG.NO:23627(R20-UB-L_SWKNOB-REVB.DWG)		
14	51.0000	PC	W53-00200-11127	G53-00200-11127	PLASTIC;SPACER;MOULDING;BLACK;LENGTH:11MM;DST.NO:002;DPT.NO:11127;(R20-ACCESSORY-LEDSPACER-REVB.DWG)		
15	12.0000	PC	W53-14000-01976	G53-14000-01976	PLASTIC;SPACER;ABS;BLACK;LENGTH:14MM2;(SWITCHSPACER14_2MM.DWG)		
16	1.0000	PC	W54-07100-01716	G54-07100-01716	PLASTIC;LED BAR;MX1804X;ABS;DWG.NO:01716;(R14-LBAR1804-REVC.DWG)		
17	1.0000	PC		G58-00100-08381	PLASTIC;SHEET;P0554;PET;BLACK;DST.NO:001;DPT.NO:8381;(XENYX124FX-PET-SHEET-REVA.DWG)		
18	1.0000	PC	W58-00200-11129	G58-00200-11129	PLASTIC;LED SPACER;MOULDING;BLACK;NO:8LENGTH:9MM;DST.NO:002;DPT.NO:11129;(LED-SPACER9MM.REVB.DWG)		
19	1.0000	PC		I64-00100-27298	PLASTIC;LED WINDOW;DPM5;ACRYL;PRINTED;FILMSET NO:001;DWG.NO:27298;(UB2442FX-DPM5_WINDOW-REVB.DWG)		

Plug Socket

	Quantity	Unit	S.Sku	M.Sku	Description	Reference Designators	Notes
1	1.0000	PC		G61-65226-03294	BOX HEADER;POLES:26;2 ROW;STRAIGHT;PITCH:2mm54;SCM-26S	[1: {1.0}(X68)]	
2	1.0000	PC	W61-75226-05290	G61-75226-05290	CABLE HEADER;POLES:26;2 ROW;IDE;STRAIGHT;PITCH:2mm54;FC-26P		
3	1.0000	PC	W61-85226-08163	G61-85226-08163	TRANSITION PLUG;FLAT CABLE;POLES:26;ROWS:2;STRAIGHT;PITCH:2mm54;BLACK;FD-26P		
4	41.0000	PC	W64-01211-03174	G64-01211-03174	PLUG;JACK STEREO 6mm3;STRAIGHT SOLDER;W/O MET.RNG.;MET.BUSH.;NO NUT/WASHER;(JY-6351G-02-250)	[2: {27.0}(X22-X26,X36-X57)]	
5	1.0000	PC	W64-16212-00005	G64-16212-00005	PLUG;PCB;PLUG;JACK STEREO 6mm3;STRAIGHTPCB LUGS;NO NUT/WASHER;METAL BUSHING;(CHUNSHENG PJ-632HA)	[2: {1.0}(X58)]	
6	0.0000	PC	W67-20103-01824	G67-20103-01824	PLUG;AC SOCK;W FUSE;SNAP-IN;COLOR:BLK;POLES:03;(RONG-FENG RF-2004)		
7	1.0000	PC		G67-40103-01810	SOCKET;AC;SCREW MOUNT;FUSED;UL94V-0;10A/250VAC;FOR AMP CONN;COLOR:BLK;POLES:03;(JACKSON JR-101-1FS)		
8	1.0000	PC	W68-04004-03284	G68-04004-03284	PLUG;RCA;SOCKET;RCAJACK4P/S;FEMALE;POLES:04;STRAIGHT	[2: {1.0}(X35)]	
9	1.0000	PC		G71-00000-03961	WAFER;V1000-14B,0.35um;LOGIC-3.3V(1P4M)		
10	1.0000	PC		G71-15224-24042	PIN HEADER;POLES:24;STRAIGHT;PITCH:2.54 mm;2 ROWS;1002-24-S	[DPM5V1000:00: {1.0}(X11)]	
11	2.0000	PC	W71-23102-04756	G71-23102-04756	WAFER;POLES:2;STRAIGHT;PITCH:2 mm;1 ROW;TYPE:A2006WV-2P	[SMPSU22:00: {2.0}(X2,X4)]	
12	2.0000	PC	W71-23104-03185	G71-23104-03185	WAFER;POLES:4;STRAIGHT;PITCH:2 mm;1 ROW;JS1125-04	[2: {2.0}(X60-X61)]	
13	1.0000	PC	W71-23106-04965	G71-23106-04965	WAFER;POLES:6;STRAIGHT;PITCH:2 mm;1 ROW;TYPE:A2006WV-6P	[1: {1.0}(X67)]	
14	2.0000	PC	W71-23107-03188	G71-23107-03188	WAFER;POLES:7;STRAIGHT;PITCH:2 mm;1 ROW;JS1125-07	[1: {2.0}(X64-X65)]	
15	1.0000	PC	W71-23108-03189	G71-23108-03189	WAFER;POLES:8;STRAIGHT;PITCH:2 mm;1 ROW;JS1125-08	[1: {1.0}(X66)]	
16	1.0000	PC	W71-23110-03191	G71-23110-03191	WAFER;POLES:10;STRAIGHT;PITCH:2 mm;1 ROW;JS1125-10	[1: {1.0}(X70)]	
17	1.0000	PC	W71-35224-03073	G71-35224-03073	PLUG;PCB;PLUG;PCB SOCKET;POLES:24;2 ROWS;STRAIGHT;PITCH:2mm54;2801-24GS	[1: {1.0}(X59)]	
18	40.0000	PC		G71-43000-05662	HOUSING;TERMINAL;SPH-002T-P0.5L		
19	1.0000	PC	W71-43102-05994	G71-43102-05994	PLUG;HOUSING;POLES:2;ROWS:1;STRAIGHT;PITCH:2mm;TYP:A2008		
20	2.0000	PC		G71-43104-05627	PLUG;HOUSING;POLES:4;1 ROW;STRAIGHT;PITCH:2mm		
21	1.0000	PC	W71-43106-05998	G71-43106-05998	PLUG;HOUSING;POLES:6;ROWS:1;STRAIGHT;PITCH:2mm;TYP:A2008		
22	2.0000	PC		G71-43107-05630	PLUG;HOUSING;P:2mm0;POLES:7;1 ROW;STRAIGHT;PITCH:2mm0		
23	1.0000	PC		G71-43108-05631	PLUG;HOUSING;P:2mm0;POLES:8;1 ROW;STRAIGHT;PITCH:2mm0		
24	1.0000	PC		G71-43110-05632	PLUG;HOUSING;P:2mm0;POLES:10;1 ROW;STRAIGHT;PITCH:2mm0		
25	46.0000	PC	W71-80000-05663	G71-80000-05663	BD.-IN-CONN;TERMINAL;SAN-002T-0.8A		
26	2.0000	PC	W71-83104-05644	G71-83104-05644	BOARD-IN-CONNECTOR;POLES:4;ROWS:1;STRAIGHT;PITCH:2 mm		
27	1.0000	PC	W71-83106-05650	G71-83106-05650	BOARD-IN-CONNECTOR;POLES:6;ROWS:1;STRAIGHT;PITCH:2 mm		
28	2.0000	PC	W71-83107-05651	G71-83107-05651	BOARD-IN-CONNECTOR;POLES:7;ROWS:1;STRAIGHT;PITCH:2 mm		
29	1.0000	PC	W71-83108-05652	G71-83108-05652	BOARD-IN-CONNECTOR;POLES:8;ROWS:1;STRAIGHT;PITCH:2 mm		
30	1.0000	PC	W71-83110-05654	G71-83110-05654	BOARD-IN-CONNECTOR;POLES:10;ROWS:1;STRAIGHT;PITCH:2 mm		

Power Supply

	Quantity	Unit	S.Sku	M.Sku	Description	Reference Designators	Notes
1	1.0000	PC	Z63-09390-24046	J63-09390-24046	TRANSFORMER;SPSU;40 WATT;UB-SERIES;DWG:24046		
2	1.0000	PC		J69-00000-52510	TRAF0;SWITCH MODE;POAL3;UNIVERSAL 100 TO 240;COMMON;590uH;DA XIN PN:KB1332-15304		
3	1.0000	PC		J69-00000-52512	TRAF0;SWITCH MODE;POAL3;UNIVERSAL 100 TO 240;COMMON;590uH;SUPERWORLD PN:R17-19-01214		

Quarz

	Quantity	Unit	S.Sku	M.Sku	Description	Reference Designators	Notes
1	1.0000	PC	X65-40471-00000	H65-40471-00000	QUARZ;RESONATOR;10MHz;HC49/S;FUNDAMENTAL	[DPM5V1000:00: {1.0}{Q1}]	

Resistor

	Quantity	Unit	S.Sku	M.Sku	Description	Reference Designators	Notes
1	8.0000	PC			RESISTOR;CARBON;130Kohm;5%;0W063;SMD603	[2: (8.0)(R187,R190,R193,R196,R199,R202,R205,R208)]	*NOT available in DP
2	16.0000	PC			RESISTOR;CARBON;3ohm9;5%;0W063;SMD603	[2: (16.0)(R129-R144)]	*NOT available in DP
3	8.0000	PC			RESISTOR;CARBON;4ohm7;5%;0W063;SMD603	[2: (8.0)(R210,R212,R214,R216,R218,R220,R222,R224)]	*NOT available in DP
4	1.0000	PC			RESISTOR;CARBON;100ohm;5%;0W063;SMD603	[1: (1.0)(R480)]	*NOT available in DP
5	9.0000	PC			RESISTOR;CARBON;120ohm;5%;0W063;SMD603	[1: (1.0)(R469)]	*NOT available in DP
6	2.0000	PC			RESISTOR;CARBON;330ohm;5%;0W063;SMD603	[1: (2.0)(R456,R467)]	*NOT available in DP
7	2.0000	PC			RESISTOR;CARBON;360ohm;5%;0W063;SMD603	[2: (2.0)(R125,R147)]	*NOT available in DP
8	3.0000	PC			RESISTOR;CARBON;470ohm;5%;0W063;SMD603	[1: (3.0)(R468,R470,R481)]	*NOT available in DP
9	3.0000	PC			RESISTOR;CARBON;510ohm;5%;0W063;SMD603	[1: (3.0)(R428,R655-R656)]	*NOT available in DP
10	1.0000	PC			RESISTOR;CARBON;620ohm;5%;0W063;SMD603	[1: (1.0)(R457)]	*NOT available in DP
11	15.0000	PC			RESISTOR;CARBON;1Kohm;5%;0W063;SMD603	[1: (13.0)(R391,R546,R548,R550,R552,R554,R556,R558,R560,R562-R565)]	*NOT available in DP
12	2.0000	PC			RESISTOR;CARBON;1Kohm2;5%;0W063;SMD603	[2: (2.0)(R126,R148)]	*NOT available in DP
13	1.0000	PC			RESISTOR;CARBON;1Kohm3;5%;0W063;SMD603	[1: (1.0)(R429)]	*NOT available in DP
14	16.0000	PC			RESISTOR;CARBON;1Kohm5;5%;0W063;SMD603	[1: (16.0)(R432,R435,R438,R441,R444,R447,R450,R453,R604-R605,R608-R609,R612-R613,R616-R617)]	*NOT available in DP
15	1.0000	PC			RESISTOR;CARBON;1Kohm8;5%;0W063;SMD603	[1: (1.0)(R292)]	*NOT available in DP
16	7.0000	PC			RESISTOR;CARBON;2Kohm;5%;0W063;SMD603	[1: (7.0)(R296-R297,R333-R334,R388-R389,R421)]	*NOT available in DP
17	2.0000	PC			RESISTOR;CARBON;2Kohm2;5%;0W063;SMD603	[2: (2.0)(R127,R149)]	*NOT available in DP
18	8.0000	PC			RESISTOR;CARBON;2Kohm7;5%;0W063;SMD603	[2: (8.0)(R242-R249)]	*NOT available in DP
19	2.0000	PC			RESISTOR;CARBON;3Kohm6;5%;0W063;SMD603	[1: (2.0)(R652-R653)]	*NOT available in DP
20	26.0000	PC			RESISTOR;CARBON;3Kohm9;5%;0W063;SMD603	[1: (26.0)(R303,R305,R307,R309,R311,R313,R315,R317,R430-R431,R433-R434,R436-R437,R439-R440,R442-R443,R445-R446,R448-R449,R451-R452,R538,R602)]	*NOT available in DP
21	4.0000	PC			RESISTOR;CARBON;4Kohm7;5%;0W063;SMD603	[1: (4.0)(R500,R502,R504,R506)]	*NOT available in DP
22	5.0000	PC			RESISTOR;CARBON;5Kohm1;5%;0W063;SMD603	[1: (5.0)(R491,R621-R622,R647-R648)]	*NOT available in DP
23	20.0000	PC			RESISTOR;CARBON;5Kohm6;5%;0W063;SMD603	[1: (20.0)(R330,R337-R352,R383-R384,R418)]	*NOT available in DP
24	40.0000	PC			RESISTOR;CARBON;6Kohm8;5%;0W063;SMD603	[1: (40.0)(R371-R372,R488-R489,R492-R499,R501,R503,R505,R507,R623-R646)]	*NOT available in DP
25	1.0000	PC			RESISTOR;CARBON;8Kohm2;5%;0W063;SMD603	[1: (1.0)(R414)]	*NOT available in DP
26	61.0000	PC			RESISTOR;CARBON;10Kohm;5%;0W063;SMD603	[1: (29.0)(R263-R270,R361-R368,R410-R411,R539-R540,R547,R549,R551,R553,R555,R557,R559,R561,R654)]	*NOT available in DP
27	10.0000	PC			RESISTOR;CARBON;12Kohm;5%;0W063;SMD603	[1: (10.0)(R276-R283,R426-R427)]	*NOT available in DP
28	44.0000	PC			RESISTOR;CARBON;15Kohm;5%;0W063;SMD603	[1: (36.0)(R459-R466,R578-R595,R598,R600,R606-R607,R610-R611,R614-R615,R618-R619)]	*NOT available in DP
29	2.0000	PC			RESISTOR;CARBON;16Kohm;5%;0W063;SMD603	[2: (2.0)(R124,R154)]	*NOT available in DP
30	2.0000	PC			RESISTOR;CARBON;18Kohm;5%;0W063;SMD603	[1: (2.0)(R599,R601)]	*NOT available in DP
31	21.0000	PC			RESISTOR;CARBON;20Kohm;5%;0W063;SMD603	[1: (3.0)(R415-R416,R490)]	*NOT available in DP
32	8.0000	PC			RESISTOR;CARBON;22Kohm;5%;0W063;SMD603	[1: (8.0)(R319-R326)]	*NOT available in DP
33	32.0000	PC			RESISTOR;CARBON;27Kohm;5%;0W063;SMD603	[1: (32.0)(R294-R295,R331-R332,R386-R387,R394-R395,R509-R532)]	*NOT available in DP
34	6.0000	PC			RESISTOR;CARBON;30Kohm;5%;0W063;SMD603	[1: (6.0)(R327-R328,R369-R370,R392-R393)]	*NOT available in DP
35	2.0000	PC			RESISTOR;CARBON;36Kohm;5%;0W063;SMD603	[1: (2.0)(R382,R385)]	*NOT available in DP
36	11.0000	PC			RESISTOR;CARBON;47Kohm;5%;0W063;SMD603	[1: (11.0)(R293,R374-R381,R454-R455)]	*NOT available in DP
37	3.0000	PC			RESISTOR;CARBON;100Kohm;5%;0W063;SMD603	[1: (3.0)(R541,R620,R649)]	*NOT available in DP
38	1.0000	PC			RESISTOR;CARBON;200Kohm;5%;0W063;SMD603	[1: (1.0)(R542)]	*NOT available in DP

	Quantity	Unit	S.Sku	M.Sku	Description	Reference Designators	Notes
39	8.0000	PC			RESISTOR;CARBON;1Mohm;5%;0W063;SMD603	[1: {8.0}(R304,R306,R308,R310,R312,R314,R316,R318)]	*NOT available in DP
40	16.0000	PC			RESISTOR;METAL;1Kohm3;1%;0W063;SMD603	[2: {16.0}(R108-R123)]	*NOT available in DP
41	1.0000	PC			RESISTOR;CARBON;0ohm;5%;0W1;SMD805	[DPMSV1000:00: {1.0}(R1)]	*NOT available in DP
42	1.0000	PC			RESISTOR;CARBON;2ohm2;5%;0W1;SMD805	[DPMSV1000:00: {1.0}(R6)]	*NOT available in DP
43	1.0000	PC			RESISTOR;CARBON;5ohm1;5%;0W1;SMD805	[DPMSV1000:00: {1.0}(R4)]	*NOT available in DP
44	1.0000	PC			RESISTOR;CARBON;6ohm8;5%;0W1;SMD805	[SMPSU22:00: {1.0}(R17)]	*NOT available in DP
45	2.0000	PC			RESISTOR;CARBON;22ohm;5%;0W1;SMD805	[1: {2.0}(R596-R597)]	*NOT available in DP
46	4.0000	PC			RESISTOR;CARBON;47ohm;5%;0W1;SMD805	[2: {4.0}(R239-R240,R252-R253)]	*NOT available in DP
47	2.0000	PC			RESISTOR;CARBON;100ohm;5%;0W1;SMD805	[2: {2.0}(R179-R180)]	*NOT available in DP
48	12.0000	PC			RESISTOR;CARBON;120ohm;5%;0W1;SMD805	[SMPSU22:00: {2.0}(R9-R10)]	*NOT available in DP
49	2.0000	PC			RESISTOR;CARBON;150ohm;5%;0W1;SMD805	[DPMSV1000:00: {2.0}(R2-R3)]	*NOT available in DP
50	1.0000	PC			RESISTOR;CARBON;470ohm;5%;0W1;SMD805	[SMPSU22:00: {1.0}(R24)]	*NOT available in DP
51	1.0000	PC			RESISTOR;CARBON;510ohm;5%;0W1;SMD805	[1: {1.0}(R487)]	*NOT available in DP
52	1.0000	PC			RESISTOR;CARBON;560ohm;5%;0W1;SMD805	[SMPSU22:00: {1.0}(R25)]	*NOT available in DP
53	1.0000	PC			RESISTOR;CARBON;820ohm;5%;0W1;SMD805	[SMPSU22:00: {1.0}(R23)]	*NOT available in DP
54	1.0000	PC			RESISTOR;CARBON;1Kohm;5%;0W1;SMD805	[DPMSV1000:00: {1.0}(R10)]	*NOT available in DP
55	12.0000	PC			RESISTOR;CARBON;1Kohm5;5%;0W1;SMD805	[1: {12.0}(R471-R478,R482-R485)]	*NOT available in DP
56	4.0000	PC			RESISTOR;CARBON;2Kohm2;5%;0W1;SMD805	[SMPSU22:00: {4.0}(R7-R8,R14-R15)]	*NOT available in DP
57	1.0000	PC			RESISTOR;CARBON;3Kohm3;5%;0W1;SMD805	[SMPSU22:00: {1.0}(R19)]	*NOT available in DP
58	1.0000	PC			RESISTOR;CARBON;4Kohm7;5%;0W1;SMD805	[DPMSV1000:00: {1.0}(R5)]	*NOT available in DP
59	1.0000	PC			RESISTOR;CARBON;10Kohm;5%;0W1;SMD805	[SMPSU22:00: {1.0}(R6)]	*NOT available in DP
60	1.0000	PC			RESISTOR;CARBON;22Kohm;5%;0W1;SMD805	[SMPSU22:00: {1.0}(R22)]	*NOT available in DP
61	3.0000	PC			RESISTOR;CARBON;47Kohm;5%;0W1;SMD805	[SMPSU22:00: {3.0}(R20-R21,R26)]	*NOT available in DP
62	3.0000	PC			RESISTOR;CARBON;680Kohm;5%;0W1;SMD805	[SMPSU22:00: {3.0}(R11-R13)]	*NOT available in DP
63	1.0000	PC			RESISTOR;CARBON;750Kohm;5%;0W1;SMD805	[DPMSV1000:00: {1.0}(R9)]	*NOT available in DP
64	1.0000	PC			RESISTOR;CARBON;1Mohm;5%;0W1;SMD805	[DPMSV1000:00: {1.0}(R7)]	*NOT available in DP
65	1.0000	PC			RESISTOR;METAL;10Kohm;1%;0W1;SMD805	[SMPSU22:00: {1.0}(R18)]	*NOT available in DP
66	1.0000	PC			RESISTOR;METAL;56Kohm2;1%;0W1;SMD805	[SMPSU22:00: {1.0}(R16)]	*NOT available in DP
67	1.0000	PC			RESISTOR;METAL;1Mohm;1%;0W1;SMD805	[DPMSV1000:00: {1.0}(R8)]	*NOT available in DP
68	2.0000	PC			RESISTOR;ARRAY METAL;33ohm;1%;SMD1206	[1: {2.0}(R261-R262)]	*NOT available in DP
69	4.0000	PC			RESISTOR;ARRAY;120ohm;SMD1206;CAY16-121J4	[2: {2.0}(R106-R107)]	*NOT available in DP
70	2.0000	PC			RESISTOR;ARRAY;510ohm;SMD1206;CAY16-511J4	[2: {2.0}(R250-R251)]	*NOT available in DP
71	1.0000	PC			RESISTOR;ARRAY;1Kohm;SMD1206;CAY16-102J4	[1: {1.0}(R260)]	*NOT available in DP
72	8.0000	PC			RESISTOR;ARRAY;1Kohm8;SMD1206;CAY16-182J4	[1: {8.0}(R272-R275,R299-R302)]	*NOT available in DP
73	8.0000	PC			RESISTOR;ARRAY;METAL;2Kohm20;1%;SMD1206	[2: {8.0}(R181-R184,R233-R236)]	*NOT available in DP
74	4.0000	PC			RESISTOR;ARRAY;3Kohm9;SMD1206;CAY16-392J4	[1: {4.0}(R574-R577)]	*NOT available in DP
75	1.0000	PC			RESISTOR;ARRAY;4Kohm7;SMD1206;CAY16-472J4	[1: {1.0}(R271)]	*NOT available in DP
76	11.0000	PC			RESISTOR;ARRAY;5Kohm1;SMD1206;CAY16-512J4	[1: {9.0}(R397,R402-R409)]	*NOT available in DP
77	18.0000	PC			RESISTOR;ARRAY;6Kohm8;SMD1206;CAY16-682J4	[1: {17.0}(R284-R291,R354,R356,R358,R360,R373,R479,R533,R544-R545)]	*NOT available in DP
78	18.0000	PC			RESISTOR;ARRAY;10Kohm;SMD1206;CAY16-103J4	[1: {12.0}(R298,R329,R398-R401,R422-R425,R458,R508)]	*NOT available in DP
79	1.0000	PC			RESISTOR;ARRAY;12Kohm;SMD1206;CAY16-123J4	[1: {1.0}(R417)]	*NOT available in DP
80	2.0000	PC			RESISTOR;ARRAY;15Kohm;SMD1206;CAY16-153J4	[1: {2.0}(R336,R390)]	*NOT available in DP
81	1.0000	PC			RESISTOR;ARRAY;18Kohm;SMD1206;CAY16-183J4	[1: {1.0}(R603)]	*NOT available in DP
82	4.0000	PC			RESISTOR;ARRAY;20Kohm;SMD1206;CAY16-203J4	[1: {2.0}(R396,R486)]	*NOT available in DP
83	2.0000	PC			RESISTOR;ARRAY;27Kohm;SMD1206;CAY16-273J4	[1: {2.0}(R412,R543)]	*NOT available in DP
84	2.0000	PC			RESISTOR;ARRAY;36Kohm;SMD1206;CAY16-363J4	[1: {2.0}(R335,R413)]	*NOT available in DP

	Quantity	Unit	S.Sku	M.Sku	Description	Reference Designators	Notes
85	12.0000	PC			RESISTOR;ARRAY;47Kohm;SMD1206;CAY16-473J4	[1: {12.0}(R534-R537,R566-R573)]	*NOT available in DP
86	1.0000	PC			RESISTOR;ARRAY;62Kohm;SMD1206;CAY16-623J4	[1: {1.0}(R420)]	*NOT available in DP
87	1.0000	PC			RESISTOR;ARRAY;100Kohm;SMD1206;CAY16-104J4	[1: {1.0}(R419)]	*NOT available in DP
88	4.0000	PC			RESISTOR;ARRAY;220Kohm;SMD1206;CAY16-224J4	[1: {4.0}(R256-R259)]	*NOT available in DP
89	4.0000	PC			RESISTOR;ARRAY;1Mohm;SMD1206;CAY16-105J4	[1: {4.0}(R353,R355,R357,R359)]	*NOT available in DP
90	1.0000	PC	Y04-00100-23978	I04-00100-23978	THERMISTOR;NTC;10ohm;3A	[SMPSU22:00: {1.0}(R1)]	
91	1.0000	PC			VARISTOR;10 %;470 V;10D471K	[SMPSU22:00: {1.0}(VT1)]	*NOT available in DP
92	1.0000	PC			RESISTOR;CARBON;10ohm;5%;0W25;LEAD WIRE;HORIZONTAL 26-6mm	[00000: {1.0}(R4)]	*NOT available in DP
93	2.0000	PC			RESISTOR;CARBON;27ohm;5%;0W25;LEAD WIRE;HORIZONTAL 26-6mm	[1: {2.0}(R81-R82)]	*NOT available in DP
94	2.0000	PC			RESISTOR;METAL;10Kohm;1%;0W25;LEAD WIRE;HORIZONTAL 26-6mm	[1: {2.0}(R83-R84)]	*NOT available in DP
95	16.0000	PC			RESISTOR;CARBON;510 ohm;0W25;5 %;CARB;HORIZONTAL 26-6mm	[P0163:02: {16.0}(R57-R58,R60-R61,R63-R64,R66-R67,R69-R70,R72-R73,R75-R76,R78-R79)]	*NOT available in DP
96	16.0000	PC			RESISTOR;METAL;825 ohm;0W25;1 %;MET;HORIZONTAL 26-6mm	[P0163:02: {16.0}(R1-R16)]	*NOT available in DP
97	16.0000	PC			RESISTOR;METAL;2.49 kohm;0W25;1 %;MET;HORIZONTAL 26-6mm	[P0163:02: {16.0}(R19-R20,R23-R24,R27-R28,R31-R32,R35-R36,R39-R40,R43-R44,R47-R48)]	*NOT available in DP
98	16.0000	PC			RESISTOR;METAL;3.92 kohm;0W25;1 %;MET;HORIZONTAL 26-6mm	[P0163:02: {16.0}(R49-R56,R59,R62,R65,R68,R71,R74,R77,R80)]	*NOT available in DP
99	16.0000	PC			RESISTOR;METAL;6.81 kohm;0W25;1 %;MET;HORIZONTAL 26-6mm	[P0163:02: {16.0}(R17-R18,R21-R22,R25-R26,R29-R30,R33-R34,R37-R38,R41-R42,R45-R46)]	*NOT available in DP
100	1.0000	PC			RESISTOR;CARBON;220ohm;5%;0W5;LEAD WIRE;RADIAL	[SMPSU22:00: {1.0}(R5)]	*NOT available in DP
101	2.0000	PC			RESISTOR;CARBON;330ohm;5%;0W5;LEAD WIRE;RADIAL	[SMPSU22:00: {2.0}(R2-R3)]	*NOT available in DP

Fader

	Quantity	Unit	S.Sku	M.Sku	Description	Reference Designators	Notes
1	12.0000	PC	Y00-33441-05353	I00-73441-02013	FADER;60mm;10Kohm;TAPER:D;MONO;W/O CC;LEVER:4mm*15mm;W/ THREADS M2;(SOUNDWELL SA6005NGA1B-HA1-007)	[1: {12.0}(VR114-VR121,VR126-VR129)]	
2	4.0000	PC	Y00-74451-02012	I00-74451-02012	FADER;60mm;10Kohm;TAPER:D;STEREO;W/O CC;LEVER LENGTH 15mm;(SOUNDWELL SA6005GOA0B-HA1-005)	[1: {4.0}(VR122-VR125)]	
3	12.0000	PC	Y00-33441-05353	I00-93441-01786	FADER;60mm;10Kohm;TAPER:D;MONO;W/O CC;LEVER:4mm*15mm;W/ THREADS M2;(POLYSHINE F-6045G-N1 D10K L15C(M)(J))	[1: {12.0}(VR114-VR121,VR126-VR129)]	
4	4.0000	PC	Y00-74451-02012	I00-94451-02670	FADER;60mm;10Kohm;TAPER:D;STEREO;W/O CC;LEVER LENGTH 15mm;(POLYSHINE F-6045G1 D10K1 L15C(M)(J))	[1: {4.0}(VR122-VR125)]	

Potentiometer

	Quantity	Unit	S.Sku	M.Sku	Description	Reference Designators	Notes
1	8.0000	PC		I03-00000-88072	POTENTIOMETER;500 kohm;0.050W;TAPER:C;20 %;STEREO;BULK;CARBON;PITCH:30 MM;NORMAL TORQUE;(NOBLE XV012323YGPV30F15CS00K/I)	[1: {8.0}(VR33-VR40)]	
2	8.0000	PC	Y03-85241-01899	I03-61241-06648	POTENTIOMETER;10Kohm;TAPER:1B;MONO;SHAFT:30MM;W/ CC;20-100gf;NORMAL TORQUE;(NOBLE XV09213YNPV30F1B10KCC)	[1: {8.0}(VR21-VR28)]	
3	16.0000	PC	Y03-85245-01974	I03-61245-06649	POTENTIOMETER;50Kohm;TAPER:1B;MONO;SHAFT:30MM;W/ CC;20-100gf;NORMAL TORQUE;(NOBLE XV09213YNPV30F1B50KCC)	[1: {16.0}(VR9-VR16,VR48-VR55)]	
4	41.0000	PC	Y03-31645-02934	I03-61245-06653	POTENTIOMETER;50Kohm;TAPER:3B;MONO;SHAFT:30MM;W/ CC;20-100gf;NORMAL TORQUE;(NOBLE XV09213YNPV30F3B50KCC)	[1: {41.0}(VR45,VR47,VR60,VR62-VR63,VR65-VR88,VR90-VR101)]	
5	16.0000	PC	Y03-82245-00566	I03-62245-06643	POTENTIOMETER;50Kohm;TAPER:1B;STEREO;W/CC;20-100gf;NORMAL TORQUE;(NOBLE XV012313YGPV30F1B50KCC)	[1: {16.0}(VR17-VR20,VR29-VR32,VR41-VR44,VR56-VR59)]	
6	3.0000	PC	Y03-32645-02919	I03-62245-06645	POTENTIOMETER;50Kohm;TAPER:3B;STEREO;SHAFT:30MM;W/CC;20-100gf;NORMAL TORQUE;(NOBLE XV012313YGPV30F3B50KCC)	[1: {3.0}(VR46,VR61,VR64)]	
7	12.0000	PC	Y03-82041-00969	I03-62741-06642	POTENTIOMETER;10Kohm 10Kohm;TAPER:A/C;STEREO;SHAFT:30MM;W/ CC;20-100gf;NORMAL TORQUE;(NOBLE XV012313YGPV30F15AC10KCC)	[1: {12.0}(VR102-VR113)]	
8	8.0000	PC	Y03-85335-01906	I03-63335-06650	POTENTIOMETER;5Kohm;TAPER:C05;MONO;SHAFT:30MM;WO/CC;20-100gf;NORMAL TORQUE;(NOBLE XV09213YNPV30F05C5K)	[2: {8.0}(VR1-VR8)]	
9	1.0000	PC	Y03-34645-31441	I03-64245-06647	POTENTIOMETER;50Kohm;TAPER:3B;STEREO;SHAFT:30MM;W/O CC;20-100gf;NORMAL TORQUE;(NOBLE XV012313YGPV30F3B50K)	[1: {1.0}(VR89)]	

Encoder

	Quantity	Unit	S.Sku	M.Sku	Description	Reference Designators	Notes
1	1.0000	PC	Y32-32430-24605	I32-92430-02704	ENCODER;12mm;DETENTS:24;PULSES:24;30mm;W/SWITCH;NO NUT/WASHER;(POLYSHINE F-12E55H24B-P+C L30FX12(O))	[1: {1.0}(SW13)]	

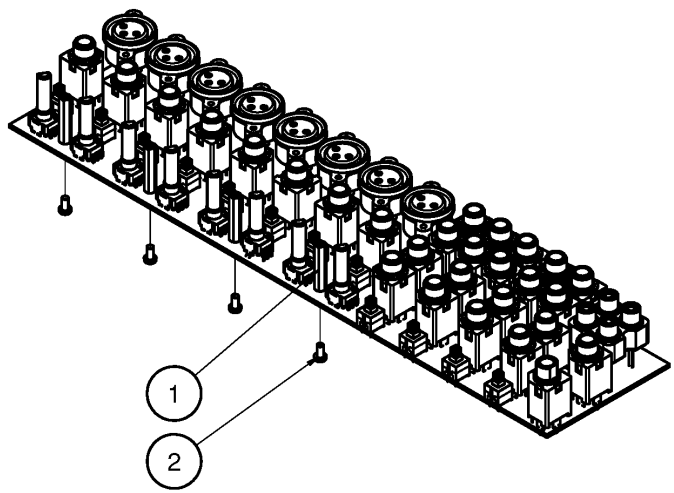
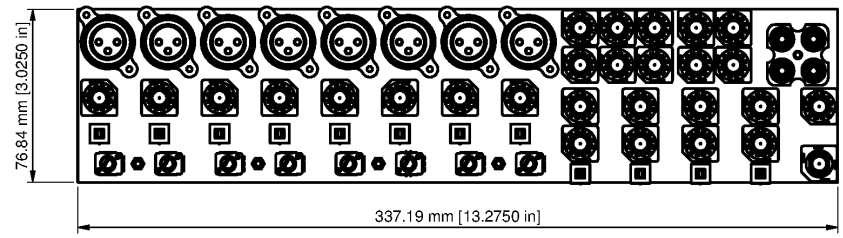
Switch

	Quantity	Unit	S.Sku	M.Sku	Description	Reference Designators	Notes
1	67.0000	PC	Y77-03422-02778	I77-03422-02778	SWITCH;RADIAL;2P2T;PCB VERSION;LOCKING;NONSHORT;RAD2P	[1: {55.0}(SW14-SW18,SW20-SW37,SW39-SW46,SW63-SW86)]	
2	18.0000	PC	Y77-03442-02780	I77-03442-02780	SWITCH;RADIAL;4P2T;PCB VERSION;LOCKING;NONSHORT;RAD4P	[1: {18.0}(SW19,SW38,SW47-SW62)]	
3	1.0000	PC	Y84-02211-00140	I84-02211-00140	SWITCH;ROCKER;1P1T;WHITE LINE MARKING RADIAL;LOCKING;NONSHORT;APPROVAL: UL94V0;(SOLTEAM MR22-FBBB-F2		
4	1.0000	PC	Y84-02211-02785	I84-02211-04984	SWITCH;ROCKER;POLES:1;TOGGLES:1;LOCKING;NONSHORT;SOLDER LUG;(CANAL:MR111-CVN-BBNW)		

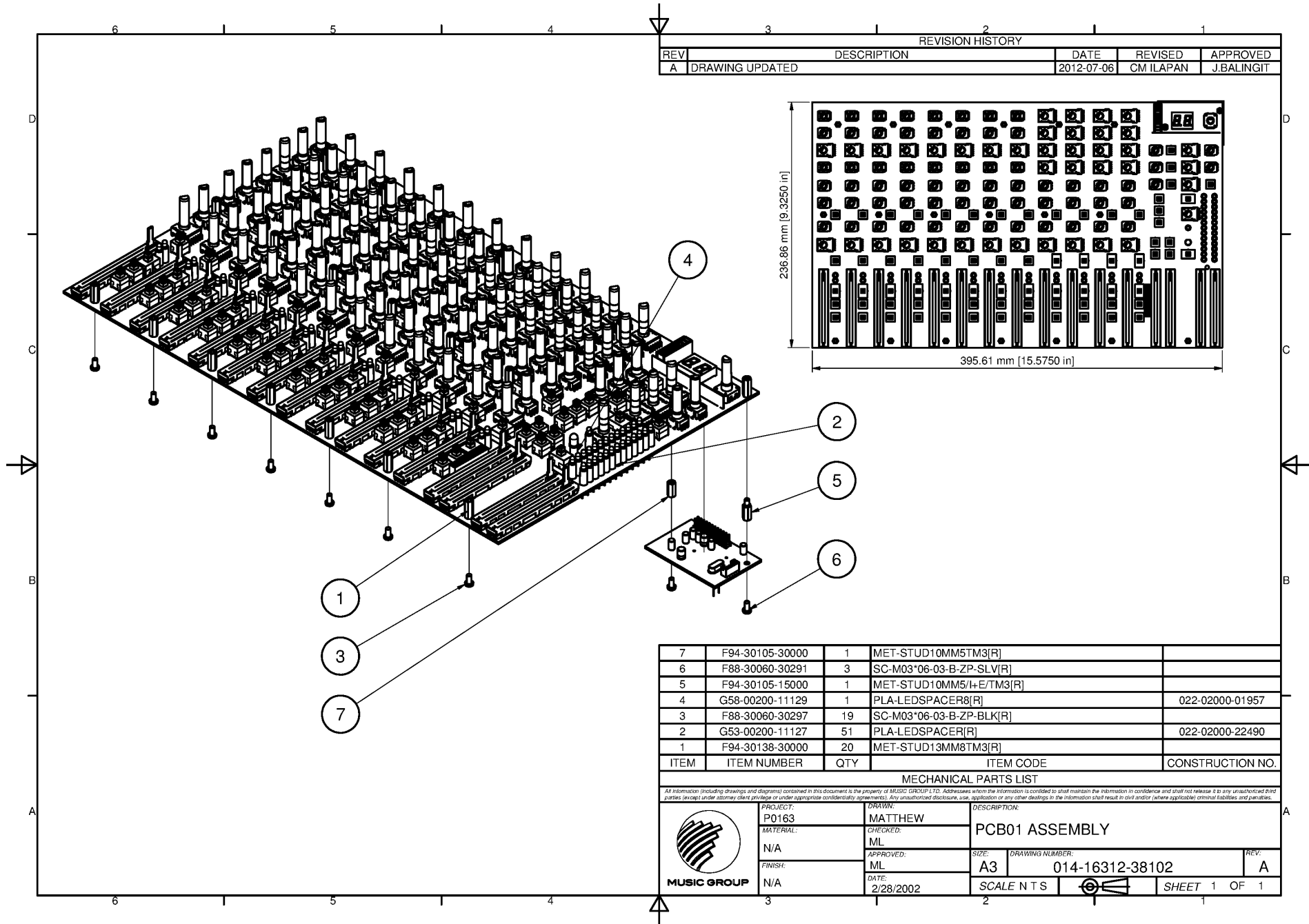
Transistor

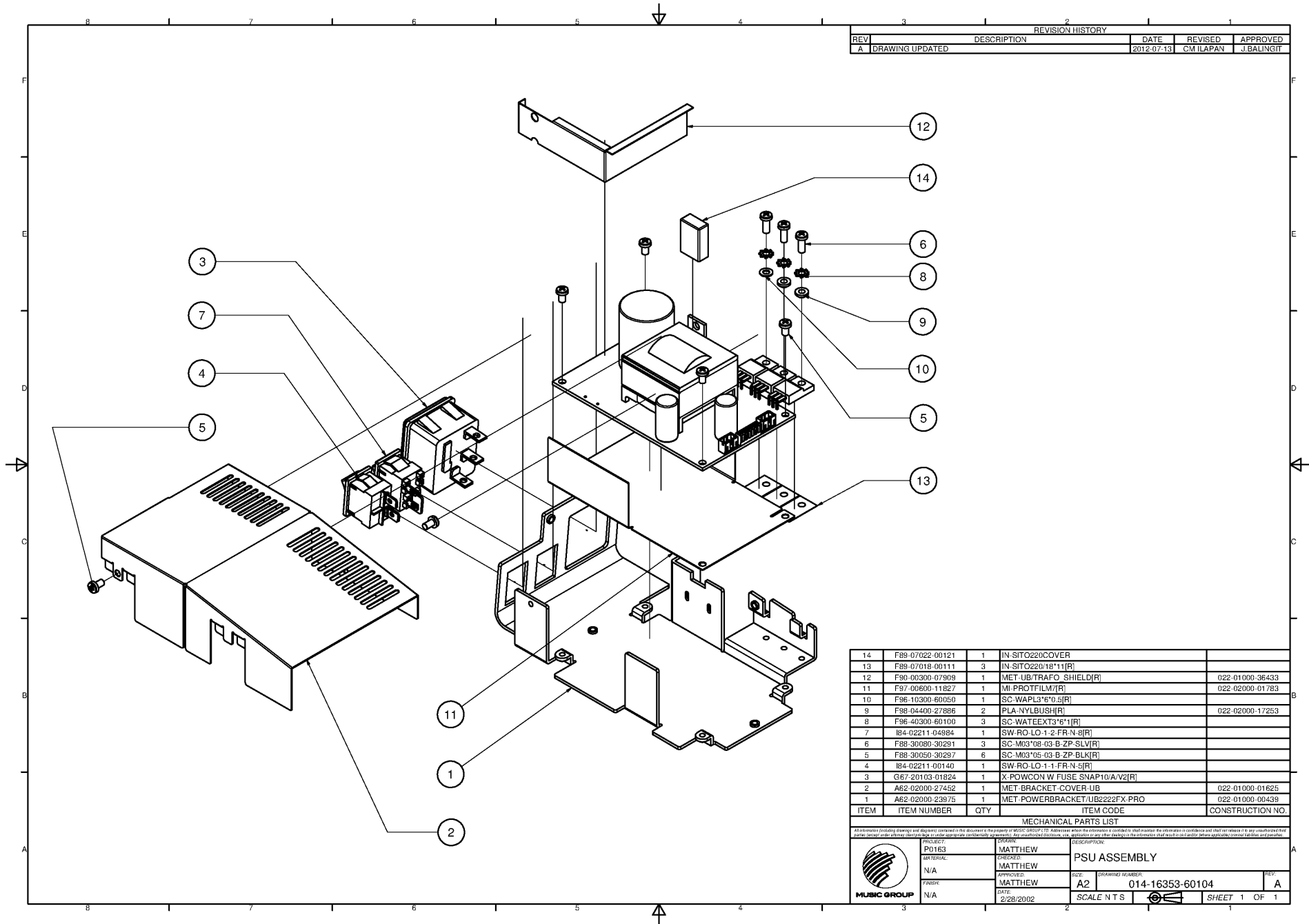
	Quantity	Unit	S.Sku	M.Sku	Description	Reference Designators	Notes
1	16.0000	PC			TRANSISTOR;TO92_TAPE;PITCH:2.54;3;2SA970GR-TR		*NOT available in DP
2	2.0000	PC			TRANSISTOR;BD239C;TO220		*NOT available in DP
3	1.0000	PC			TRANSISTOR;BD240C;TO220		*NOT available in DP
4	16.0000	PC			TRANSISTOR;2SA970-GR;TAPING;P:2.54MM;TO92	[2: {16.0}(T1-T16)]	*NOT available in DP
5	16.0000	PC			TRANSISTOR;SOT;3;MBTA06;BRAND:NXP AND INFINEON	[2: {16.0}(T22-T37)]	*NOT available in DP
6	26.0000	PC			TRANSISTOR;BC846B;SOT;SMD	[SMPSU22:00: {2.0}(T4,T6)]	*NOT available in DP
7	1.0000	PC			TRANSISTOR;BC856B;SOT;SMD	[SMPSU22:00: {1.0}(T5)]	*NOT available in DP
8	13.0000	PC			TRANSISTOR;MBTA56;SOT	[1: {13.0}(T38-T48,T73-T74)]	*NOT available in DP
9	16.0000	PC			TRANSISTOR;KTA1268GR;T/R;PITCH:2MM54;TO92		*NOT available in DP
10	5.0000	PC			TRANSISTOR;J113;TO92	[1: {5.0}(T17-T21)]	*NOT available in DP
11	0.0000	PC			TRANSISTOR;TIP32C;TO220		*NOT available in DP

REVISION HISTORY				
REV	DESCRIPTION	DATE	REVISOR	APPROVED
A	DRAWING UPDATED	2012-07-06	CM ILAPAN	J.BALINGIT



2	F88-30060-30297	4	SC-M03*06-03-B-ZP-BLK[R]	
1	F94-30243-30000	4	MET-STUD24MM3TM3[R]	
ITEM	ITEM NUMBER	QTY	ITEM CODE	CONSTRUCTION NO.
MECHANICAL PARTS LIST				
<small>All information (including drawings and diagrams) contained in this document is the property of MUSIC GROUP LTD. Addressees whom the information is confided to shall maintain the information in confidence and shall not release it to any unauthorized third parties (except) under attorney client privilege or under appropriate confidentiality agreements. Any unauthorized disclosure, use, application or any other dealings in the information shall result in civil and/or (where applicable) criminal liabilities and penalties.</small>				
	PROJECT:	P0163	DRAWING NUMBER:	
	MATERIAL:	N/A	SIZE:	A3
	FINISH:	N/A	DATE:	2/28/2002
	APPROVED:	ML	DESCRIPTION:	PCB02 ASSEMBLY
	DATE:	2/28/2002	REVISION:	A
SCALE N T S			SHEET 1 OF 1	





REVISION HISTORY				
REV	DESCRIPTION	DATE	REVISED	APPROVED
A	DRAWING UPDATED	2012-07-13	CM/LAPAN	J.BALINGIT

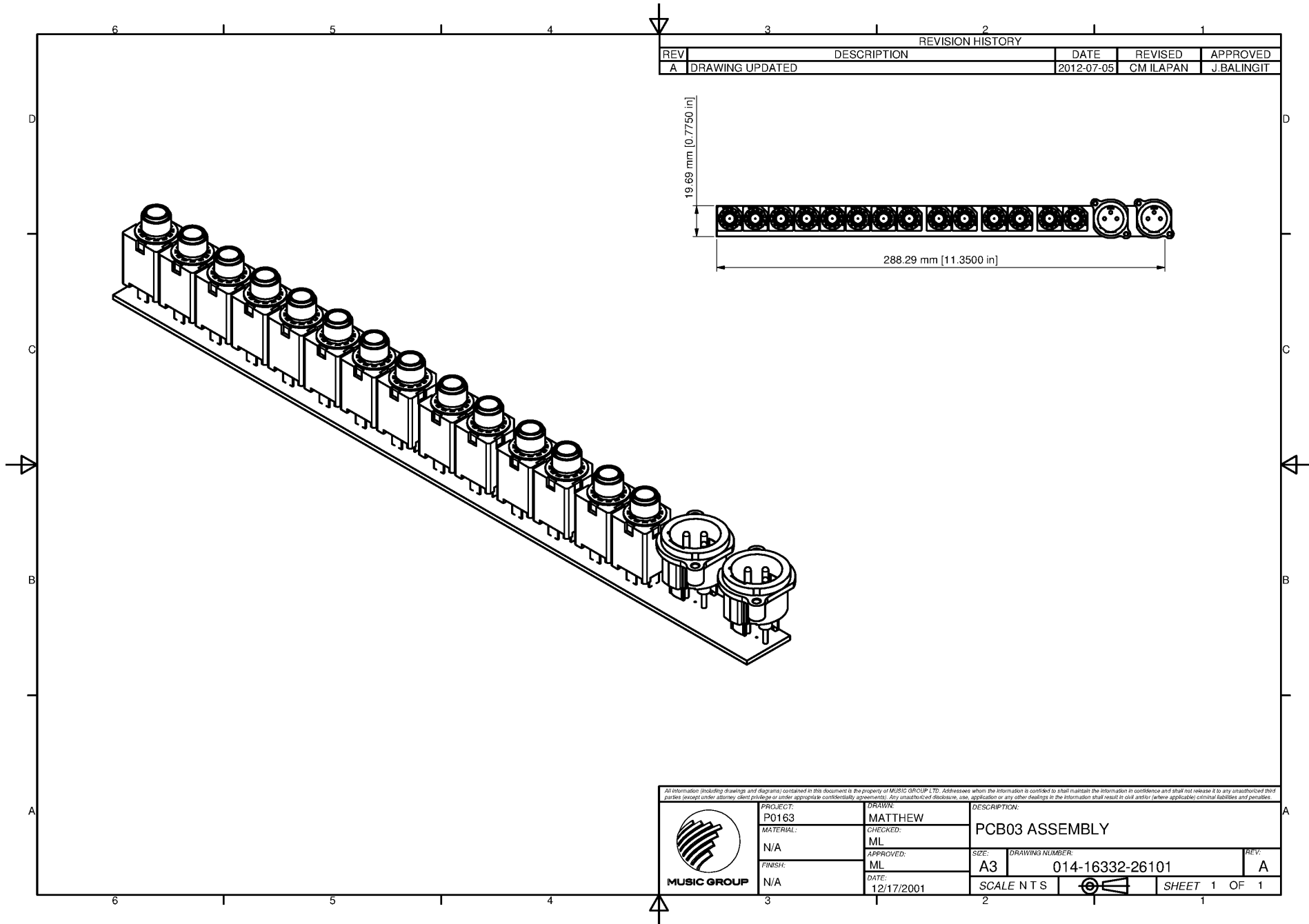
ITEM	ITEM NUMBER	QTY	ITEM CODE	CONSTRUCTION NO.
14	F89-07022-00121	1	IN-SITO220COVER	
13	F89-07018-00111	3	IN-SITO220/18*11[R]	
12	F90-00300-07909	1	MET-UB/TRAFO SHIELD[R]	022-01000-36433
11	F97-00600-11827	1	MI-PROTFILM7[R]	022-02000-01783
10	F96-10300-60050	1	SC-WAPL3*6*0.5[R]	
9	F96-04400-27886	2	PLA-NYLBUSH[R]	022-02000-17253
8	F96-40300-60100	3	SC-WATEEXT3*6*1[R]	
7	84-02211-04984	1	SW-RO-LO-1-2-FR-N-8[R]	
6	F88-30080-30291	3	SC-M03*08-03-B-ZP-SLV[R]	
5	F88-30050-30297	6	SC-M03*05-03-B-ZP-BLK[R]	
4	84-02211-00140	1	SW-RO-LO-1-1-FR-N-5[R]	
3	G67-20103-01824	1	X-POWC0N W FUSE SNAP10/A/V2[R]	
2	A62-02000-27452	1	MET-BRACKET-COVER-UB	022-01000-01625
1	A62-02000-23975	1	MET-POWERBRACKET/UB2222FX-PRO	022-01000-00439

MECHANICAL PARTS LIST



All dimensions (including drawings) and dimensions shown on this document are the property of MUSIC GROUP LTD. All drawings are the property of MUSIC GROUP LTD. All drawings are the property of MUSIC GROUP LTD. All drawings are the property of MUSIC GROUP LTD. All drawings are the property of MUSIC GROUP LTD.

PROJECT: P0163	DRAWN: MATTHEW	DESCRIPTION: PSU ASSEMBLY
MATERIAL: N/A	CHECKED: MATTHEW	SIZE: A2 DRAWING NUMBER: 014-16353-60104
APPROVED: MATTHEW	DATE: 2/28/2002	REV: A
FINISH: N/A		SCALE: N T S

SHEET 1 OF 1



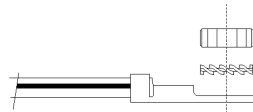
All information (including drawings and diagrams) contained in this document is the property of MUSIC GROUP LTD. Addressee whom the information is confined to shall maintain the information in confidence and shall not release it to any unauthorized third parties (except under attorney client privilege or under appropriate confidentiality agreements). Any unauthorized disclosure, use, application or any other dealings in the information shall result in civil and/or (where applicable) criminal liabilities and penalties.

	PROJECT:	MATTHEW	DESCRIPTION:	
	MATERIAL:	ML	PCB03 ASSEMBLY	
	FINISH:	ML	SIZE:	DRAWING NUMBER:
	DATE:	12/17/2001	A3	014-16332-26101
			SCALE N T S	
				SHEET 1 OF 1

△ C

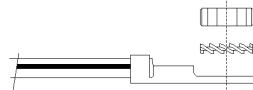
option: only for projects with PE-cable to PCB !

ASSEMBLED CABLE
(Yellow/Green) to PCB

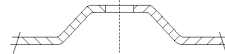


HEX NUT SC-NUHEXM04
WASHER TEETH EXTERNAL SC-WATEEXT4×7×1.7 △ B △ C △ D
ASSEMBLED CABLE WITH LUG 4.3mm WI-00/07/xxxx/07/05/00/18/34/00

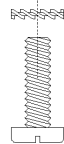
ASSEMBLED CABLE
(Yellow/Green) to Power Conn.



HEX NUT SC-NUHEXM04
WASHER TEETH EXTERNAL SC-WATEEXT4×7×1.7 △ B △ C △ D
ASSEMBLED CABLE WITH LUG 4.3mm WI-00/07/xxxx/07/05/00/18/34/00



METAL CASE
WASHER TEETH EXTERNAL SC-WATEEXT4×7×1.7 △ B △ C △ D



SCREW SC-M04×16-02-B-ZP-SLV
(standard length, can be variable if required) △ B △ C △ D

Part: ASSEMBLE DRAWING		Name	Date	Project:
		Drawn	PEUSE	08.01.1996
		File	R14-ASSEMBLE-PE-SCREW-REVD.DWG	
Drawing-No.:	X	Part-No.:		
		Color of Part		
		Printing		
		Surface		
D	changed from M3 to M4	03.06.2003	SCHOMMER	Scale
C	add optional block, delete P-IDs	11.03.2002	MERKEL	Material
B	adjust Part-IDs	11.04.2001	MERKEL	Units
A		08.01.1996	PEUSE	Behringer
Rev.	Modification	Date	Name	Part-ID:
				DRA-ASSEMBLE/PE-SCREW



Page 1
of 1



We Hear You