



SC05 $\begin{matrix} \text{V} \\ \text{H} \end{matrix}$

common mode inductors

VDE 565-2

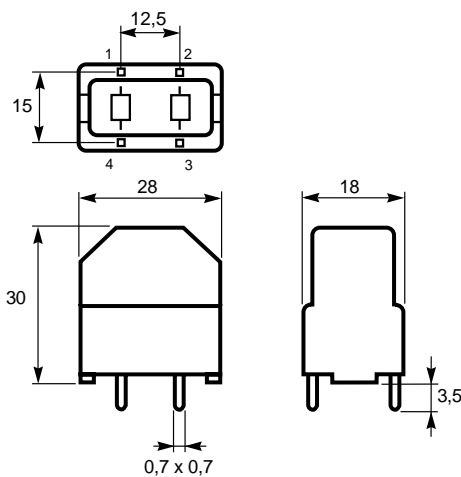
– noise suppression



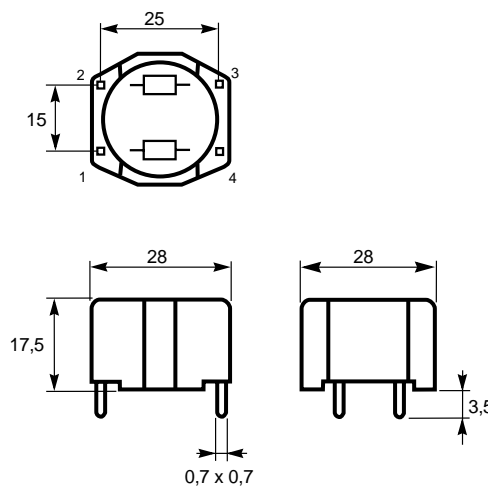
SC series conform to VDE 565-2. They have copper winding on ferrite toroid in epoxy case. Phase opposition winding is an excellent filter for symmetrical noise and in association with capacitors to ground it filters asymmetrical noise.

Main use is switching power supplies.

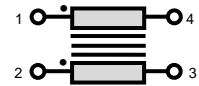
SC05 V



SC05 H



ELECTRICAL DIAGRAM



SPECIFICATIONS

MECHANICAL

TOROID... ferrite
CASE... plastic

ENVIRONMENTAL

OPERATING TEMPERATURE RANGE... -40°C $+125^{\circ}\text{C}$

ELECTRICAL

NOMINAL OPERATING VOLTAGE... 250 V RMS
LIMITING VOLTAGE... 1500 V RMS 50 Hz

by winding

Nominal current A	Inductance	
	mH	DCR max. mΩ
0,6	47	1100
0,6	33	900
0,7	18	800
1,6	10	210
2	6,8	130
2,1	4,7	100
2,8	3,3	70
3,2	1	50
4,1	0,47	35

Other values on request.

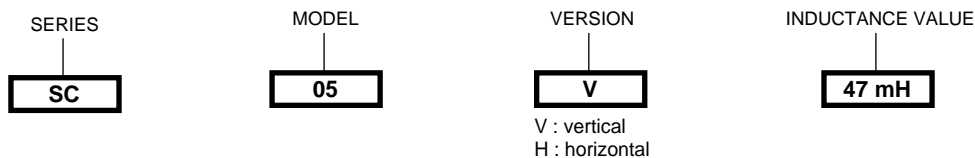
MARKING

Printed in clear : Manufacturer, series, model, inductance value, nominal current by winding, nominal operating voltage, diagram windings.

PACKAGING

50 pieces in waffle pack.

ORDERING PROCEDURE



VISHAY S.A.
Division Aztronix
Z.I. de Bellitourne
BP 353 - AZE
53203 Château-Gontier Cedex
Tél (33) 02 43 09 51 10
Fax (33) 02 43 07 36 43