

Harmonic chokes

Rated voltage 250 Vac / 350 Vdc

Rated current 1 A to 10 A

Rated inductance 0,18 to 40 mH

Construction

- Ring core choke with iron powder core
- Two sizes (B826*5 and B826*7)
- Single and double chokes in each size
- Plastic case
- Complete resin potting



Features

- Case and potting flame-retardant as per UL 94 V-0
- High attenuation of differential-mode interference at low frequencies

Applications

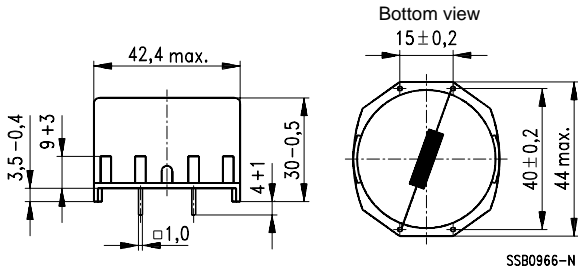
- Reduction of harmonics, e.g. in
 - washing machines
 - TV sets, PCs
 - household appliances

Terminals

- B82615 and B82625:
Pins fitting standard PCB grid
- B82617 and B82627:
lead wires brought out of case,
approx. 20 mm of wire ends tinned

Marking

Ordering code, rated inductance, rated current, dc resistance, manufacturer, date of manufacture

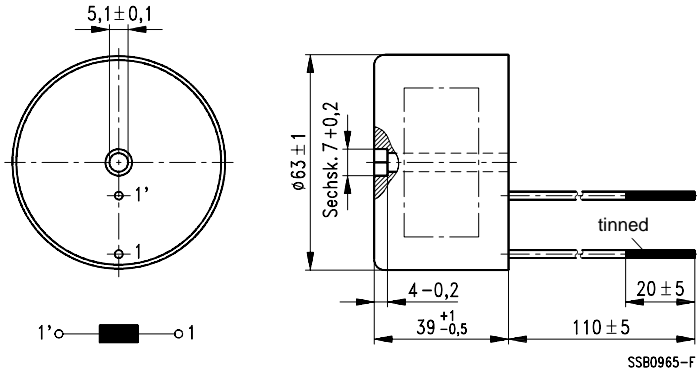
Harmonic single choke
Dimensional drawing

General technical data

| | |
|-------------------------|---|
| Inductance tolerance | ± 20 % |
| Rated current I_R | Referred to 50 Hz und + 40 °C ambient temperature |
| DC resistance R_{typ} | Typical value, measured at + 20 °C ambient temperature |
| Climatic category | In accordance with IEC 60068-1 40/125/56 (– 40 °C/+ 125 °C/56 days damp heat test) |
| Weight | Approx. 110 g |

For further technical data [see page 315](#)

Characteristics and ordering codes

| I_R A | L_R mH | R_{typ} Ω | Ordering code |
|------------|-------------|-----------------------|-----------------|
| 1 | 20 | 3,0 | B82615-B2102-M1 |
| 2 | 5,0 | 0,90 | B82615-B2202-M1 |
| 3 | 2,5 | 0,40 | B82615-B2302-M1 |
| 4 | 1,5 | 0,22 | B82615-B2402-M1 |
| 5 | 1,0 | 0,15 | B82615-B2502-M1 |
| 6 | 0,7 | 0,10 | B82615-B2602-M1 |

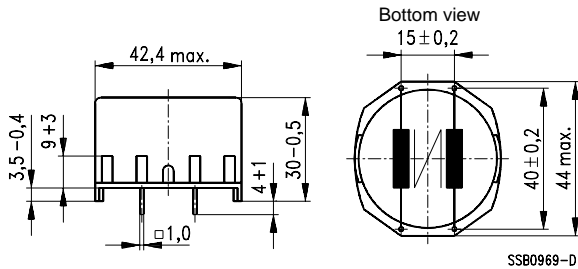
Harmonic single choke
Dimensional drawing

General technical data

| | |
|-------------------------|---|
| Inductance tolerance | ± 20 % |
| Rated current I_R | Referred to 50 Hz and + 40 °C ambient temperature |
| DC resistance R_{typ} | Typical value, measured at + 20 °C ambient temperature |
| Climatic category | In accordance with IEC 60068-1 40/125/56 (- 40 °C/+ 125 °C/56 days damp heat test) |
| Weight | Approx. 380 g |

For further technical data [see page 315](#)

Characteristics and ordering codes

| I_R A | L_R mH | R_{typ} Ω | Ordering code |
|------------|-------------|-----------------------|-----------------|
| 1 | 40 | 3,2 | B82617-F2102-M1 |
| 2 | 18 | 1,2 | B82617-F2202-M1 |
| 3 | 9,5 | 0,70 | B82617-F2302-M1 |
| 4 | 5,5 | 0,41 | B82617-F2402-M1 |
| 5 | 3,5 | 0,28 | B82617-F2502-M1 |
| 6 | 2,4 | 0,185 | B82617-F2602-M1 |
| 8 | 1,4 | 0,100 | B82617-F2802-M1 |
| 10 | 1,0 | 0,065 | B82617-F2103-M1 |

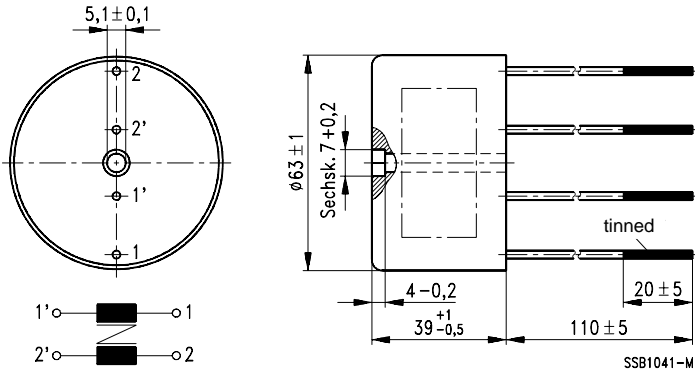
Harmonic double choke
Dimensional drawing

General technical data

| | |
|-------------------------|---|
| Inductance tolerance | $\pm 20 \%$ |
| Rated current I_R | Referred to 50 Hz and + 40 °C ambient temperature |
| DC resistance R_{typ} | Typical value, measured at + 20 °C ambient temperature |
| Climatic category | In accordance with IEC 60068-1 40/125/56 (– 40 °C/+ 125 °C/56 days damp heat test) |
| Weight | Approx. 120 g |

For further technical data [see page 315](#)

Characteristics and ordering codes

| I_R A | L_R mH | R_{typ} Ω | Ordering code |
|------------|-------------|-----------------------|-----------------|
| 1 | 5 | 1,40 | B82625-B2102-M1 |
| 2 | 1,2 | 0,45 | B82625-B2202-M1 |
| 3 | 0,7 | 0,20 | B82625-B2302-M1 |
| 4 | 0,4 | 0,11 | B82625-B2402-M1 |
| 5 | 0,25 | 0,075 | B82625-B2502-M1 |
| 6 | 0,18 | 0,050 | B82625-B2602-M1 |

Harmonic double choke
Dimensional drawing

General technical data

| | |
|-------------------------|---|
| Inductance tolerance | $\pm 20\%$ |
| Rated current I_R | Referred to 50 Hz and + 40 °C ambient temperature |
| DC resistance R_{typ} | Typical value, measured at + 20 °C ambient temperature |
| Climatic category | In accordance with IEC 60068-1 40/125/56 (– 40 °C/+ 125 °C/56 days damp heat test) |
| Weight | Approx. 380 g |

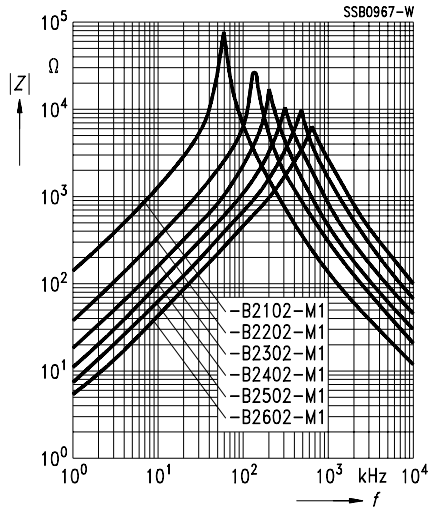
For further technical data [see page 315](#)

Characteristics and ordering codes

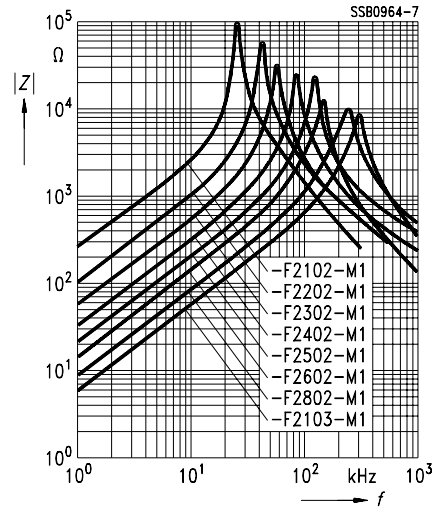
| I_R A | L_R mH | R_{typ} Ω | Ordering code |
|------------|-------------|-----------------------|-----------------|
| 1 | 10,0 | 2,0 | B82627-F2102-M1 |
| 2 | 4,5 | 0,65 | B82627-F2202-M1 |
| 3 | 2,5 | 0,38 | B82627-F2302-M1 |
| 4 | 1,5 | 0,20 | B82627-F2402-M1 |
| 5 | 0,9 | 0,14 | B82627-F2502-M1 |
| 6 | 0,6 | 0,09 | B82627-F2602-M1 |
| 8 | 0,35 | 0,05 | B82627-F2802-M1 |
| 10 | 0,25 | 0,035 | B82627-F2103-M1 |

Impedance $|Z|$
 versus frequency f

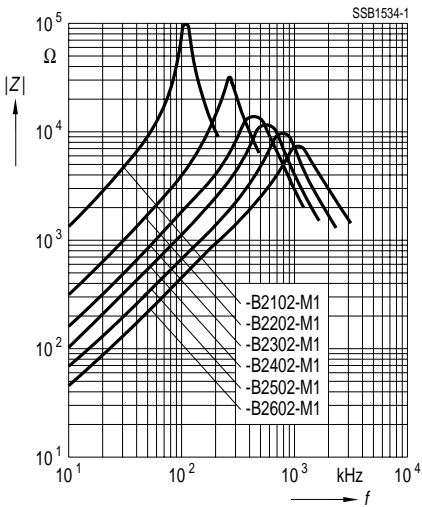
B82615-



B82617-



B82625-



B82627-

